

### Additional Data/Spec Sheet

Mintor TCAR/LC 4080 C80 | Filler Breather Plug with Lock-Holder | 40 Micron nom. | 6 Mount Holes

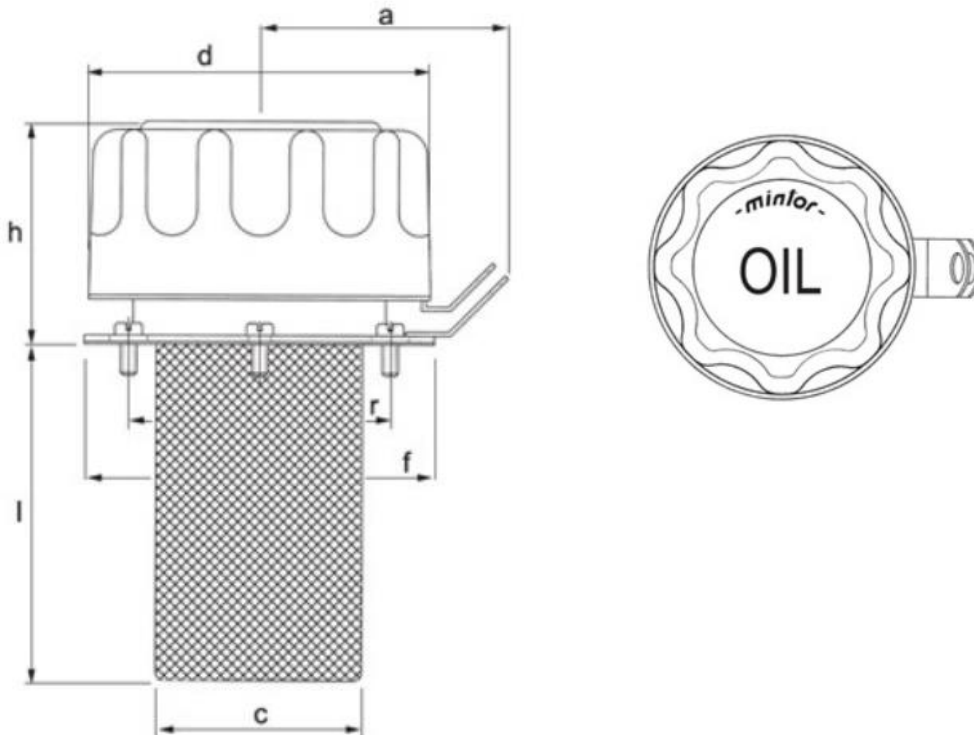


# TCAR/LC

#### PRODUCT FEATURES:

- Lock-Holder - Padlock not incl.
- Chromed Steel
- 40 Micron nom.
- For Use with Oil

TCAR/LC 4080 C80		Dimensions mm							
Fluidco Part nr	Mintor Part nr	d	h	l	r	f	c	a	Kg's
FB-FB2-M-L	1VTLC30A	80	52	80	73	83	50	70	0.325



#### Filling plug with lock-holder

With breather and trap for oil pre-filtering, made entirely of chromed steel with bayonet closure and lock-holder. Supplied with slot screws M6 and seals for the fixing. The air filter contained in the plug is available at 10 microns and **40 microns**. Provided with extractable steel cartridge which has a filtration degree of 800 microns.