

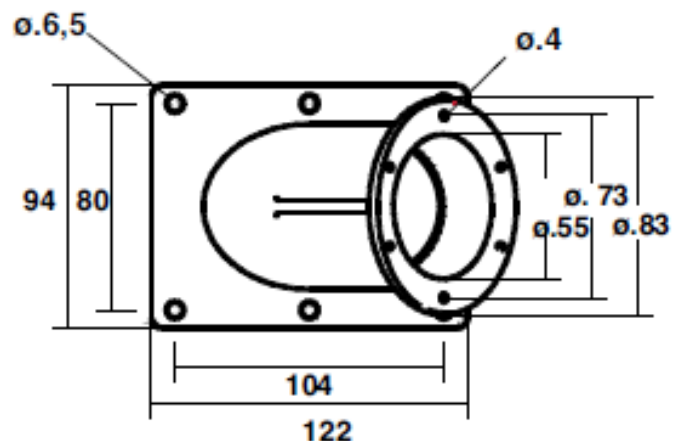
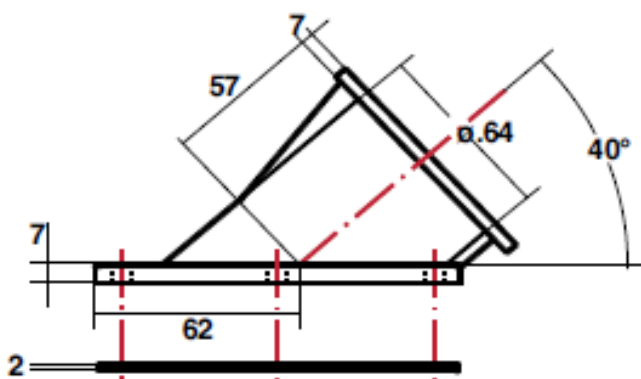
Additional Data/Spec Sheet

FBN TP1 Series 45° Angled Adapter for TP1 Filter Caps | Cast Iron Body | Side Mount Only!

Hydraulic Oil Tank Accessory

SERIE TP

Side Mounting 45° Angled Adapter Only		Dimensions mm
Fluidco Part nr	FBN Part nr	Kit includes gasket and mounting screws
FB-FB2-45DEG	PV9.01746	See below



ANGLED ADAPTOR FOR FILTER CAPS

- Suitable for all 6 holes fixing models.
- Supplied with fixing screws and gasket.