

Additional Data/Spec Sheet

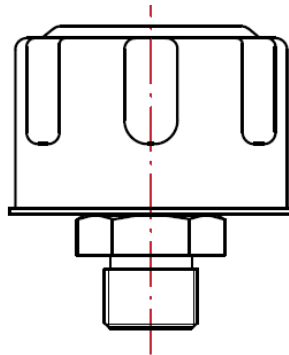
TP Series | Air Breathers | Metal Dome | Threaded Connection | Screwing Cap | 40Mic Foam Inner Filter

Hydraulic Tank Accessory

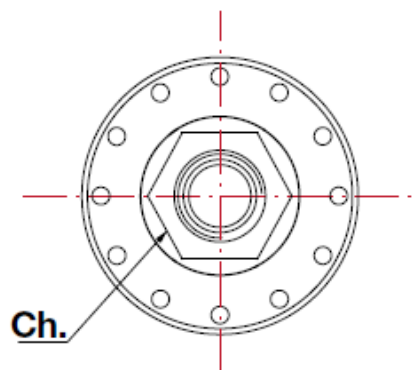
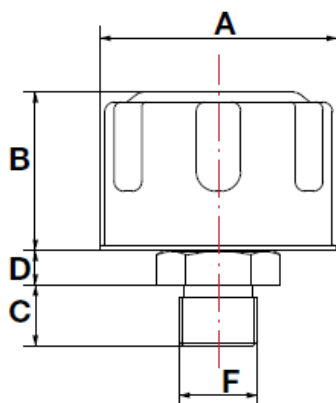
SERIE TP

TECHNICAL FEATURES:

Cover: Chrome Plated Steel
Inner Air Filter: 40 Micron nom. Foam



Screwing Cap 40 Micron nom. Foam				Dimensions mm				
Fluidco Part nr	FBN Part nr	BSPP (F)	Air Flow m ³ /h	A	B	C	D	CH
FB-AB1-04	TP8.02613	1/4"	15	48	30	13	9	22
FB-AB1-08	TP8.05506	1/2"	15	48	30	13	9	22
FB-AB2-12	TP8.02614	3/4"	42	76	40	20	8	32



The TP Series are designed to complete our wide range of filters, in order to give customers the possibility to source high quality components needed for the full assembly of the hydraulic tank.

- These filter breathers are used for tank filling and filtration of air exchanged with outside atmosphere.