

**HC-D25 Series | Tie Rod Kit | Stud-Bolt Kit**

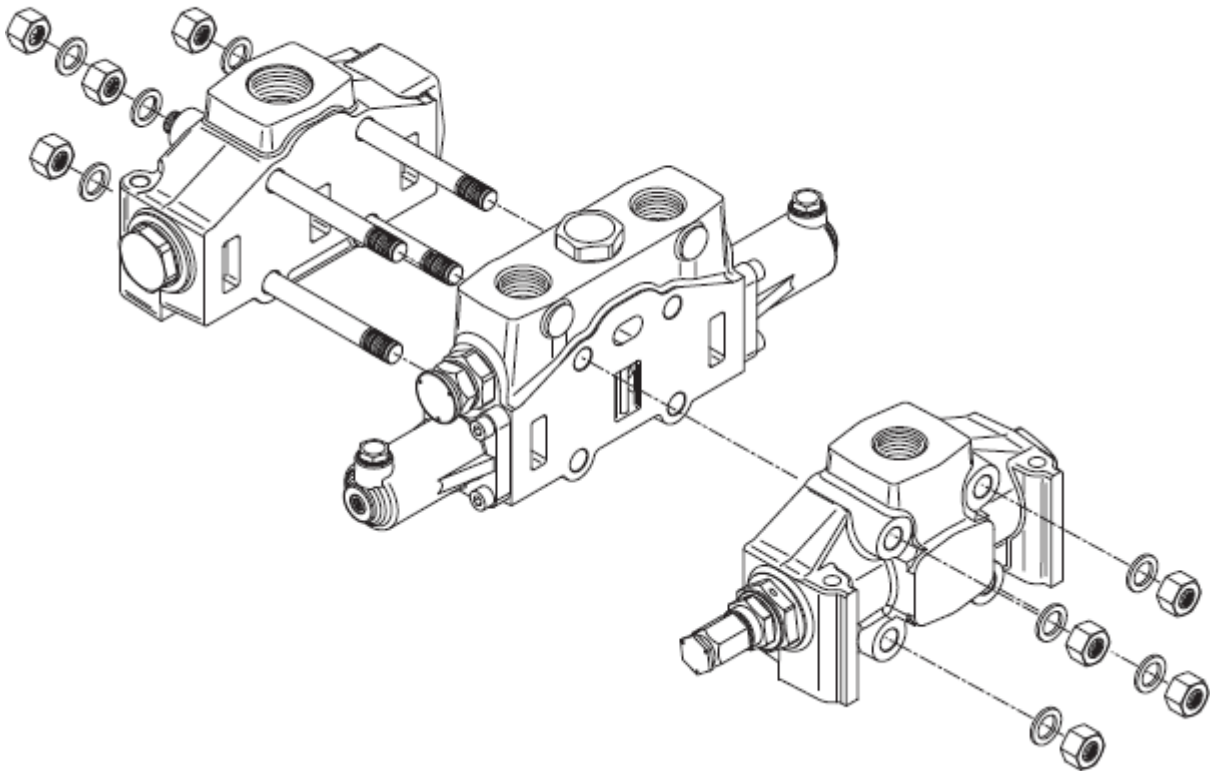
For the: HC-D25 Directional Control Valves | Sectional Valves | Stud-Bolt Kit = 4x M14 bolts + nuts

# HC-D25

## Assembly specifications

Tie rod kit allows the correct assembling of HC-D25. Tie rods length depends on number of sections.

**Tie rod kit - Stud bolt kit**



**Tie Rod | HC-D25 Stud-Bolts Length in inch & mm | 4x M14 bolts and nuts included in kits**

**HC-D25-BK1 | 1-Section bolt Kit | Bolt Size: M14 x 276mm/10,9in**

**1-Section = 1x HC-D25-I (Inlet Section) + 1x HC-D25-WPR (Work Section) + 1x HC-D25-O (Outlet Section)**

**Tie-rod clamping torque: 11.22Kgf | 110Nm**