

HC-D20 Series | Tie Rod Kit | Stud-Bolt Kit

For the: HC-D20 Directional Control Valves | Sectional Valves | Stud-Bolt Kit = 4x M14 bolts + nuts

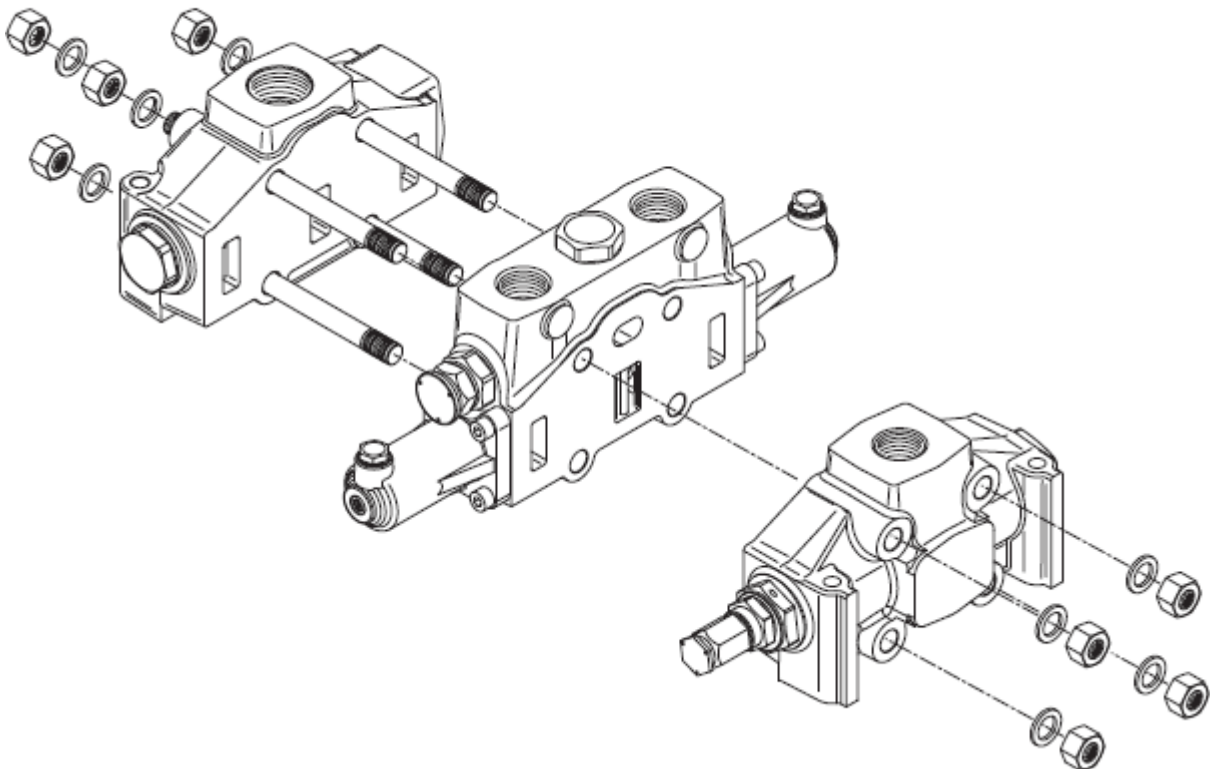
HC-D20

Sectional valve

Assembly specifications

Tie rod kit allows the correct assembling of HC-D20. Tie rods length depends on number of sections.

Tie rod kit - Stud bolt kit



Tie Rod | HC-D20 Stud-Bolts Length in inch & mm | 4x M14 bolts and nuts included in kits

Fluidco Codes: HC-D20-BK-1 BK-2 BK-3 BK-4				
Type - HC-D20	1	2	3	4
mm	248	312	376	440
in	9,8	12,3	14,8	17,3

Tie-rod clamping torque: 11.2Kgf | 110Nm