

HC-D4 Series | Tie Rod Kit | D4 Stud-Bolt Kit

For the: HC-D4 Directional Control Valves | Sectional Valves | 1/2" BSP G-08 P, A, B & T Ports

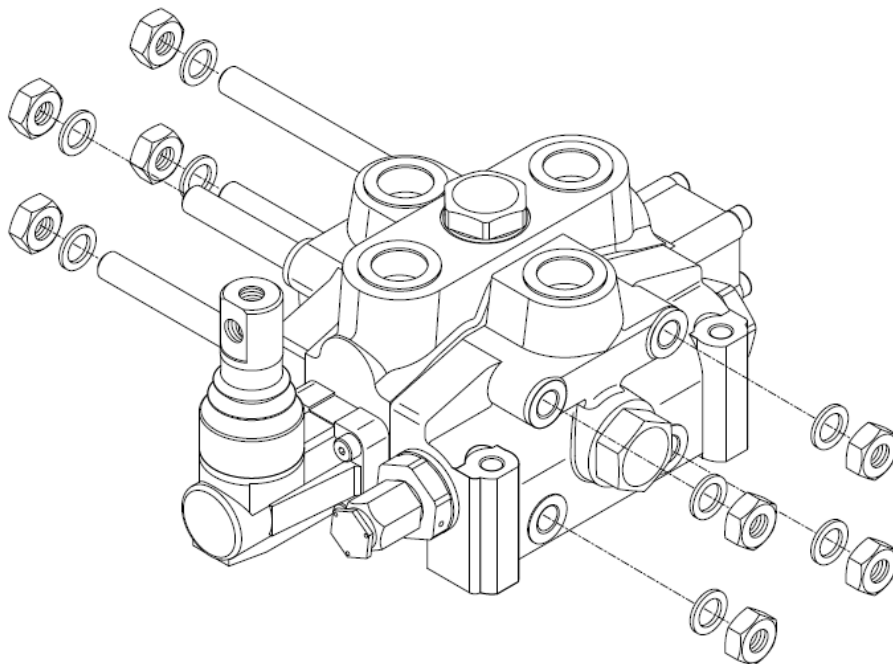
HC-D4

Sectional valve

Assembly specifications

Tie rod kit allows the correct assembling of HC-D4. Tie rods length depends on number of sections.

Tie rod kit | D4 Stud-bolt kit



Tie Rod | D4-Stud-Bolts Length in inch & mm | 4x bolts and nuts included in kits

Fluidco Code HC- D4-BK-1 | D4-BK-2 | D4-BK-3 | D4-BK-4 | D4-BK-5 | D4-BK-6

Type	/1	/2	/3	/4	/5	/6
mm	140	180	220	260	300	340
in	5,5	7,1	8,7	10,3	11,9	13,5