

**HC-D16 Series | Tie Rod Kit | Stud-Bolt Kit**

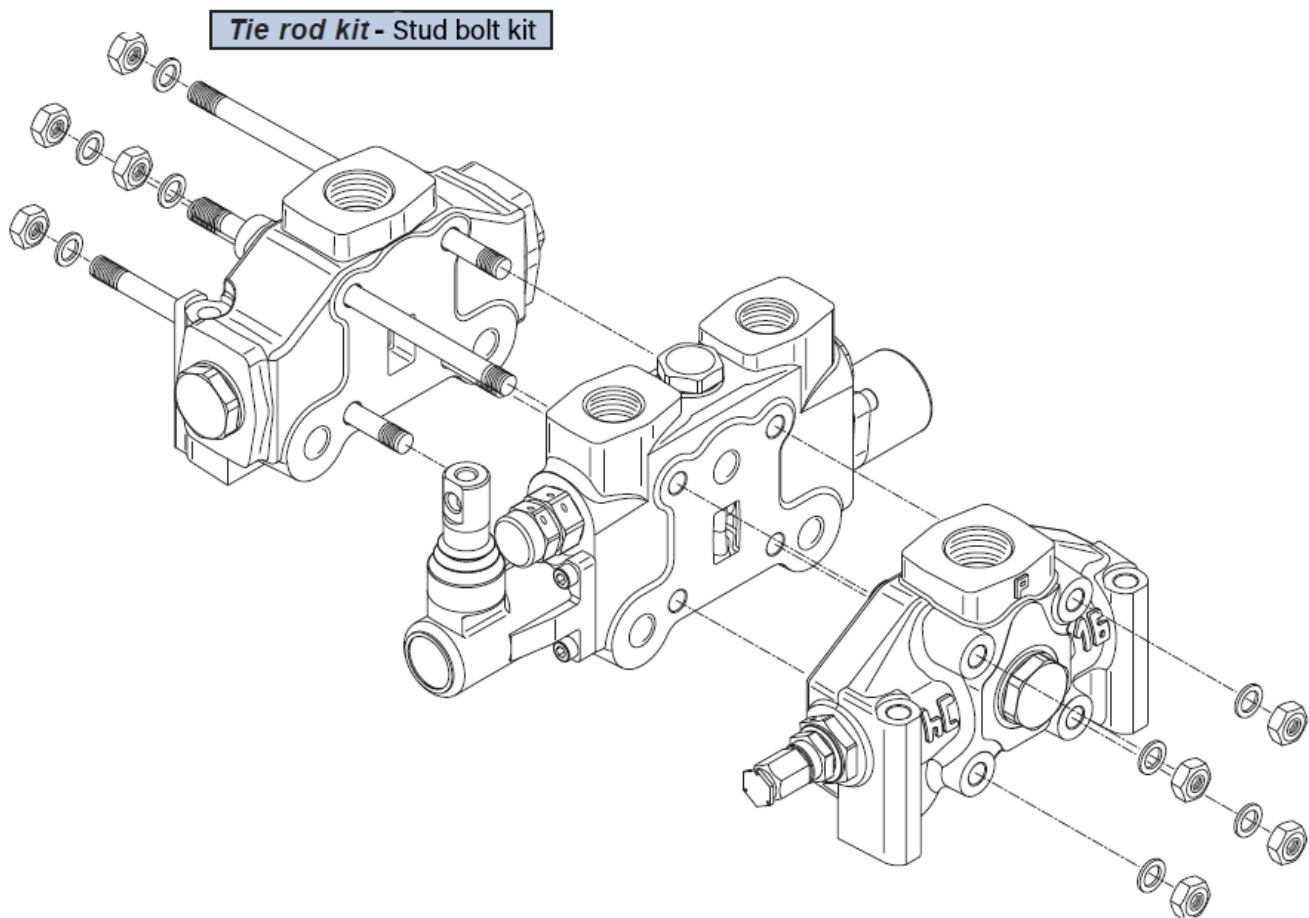
For the: HC-D16 Directional Control Valves | Sectional Valves | Stud-Bolt Kit = 4x M10 bolts + nuts

# HC-D16

## Sectional valve

### Assembly specifications

*Tie rod kit allows the correct assembling of HC-D16. Tie rods length depends on number of sections.*



**Tie Rod | HC-D16 Stud-Bolts Length in inch & mm | 4x bolts and nuts included in kits**

Fluidco Codes: HC-D16- BK-1 | BK-2 | BK-3 | BK-4 | BK-5 | BK-6

Type - HC-D16	/1	/2	/3	/4	/5	/6
mm	200	246	292	338	384	430
in	7,9	9,7	11,5	13,3	15,1	16,9

**Tie-rod clamping torque: 5,1Kgf | 50Nm**