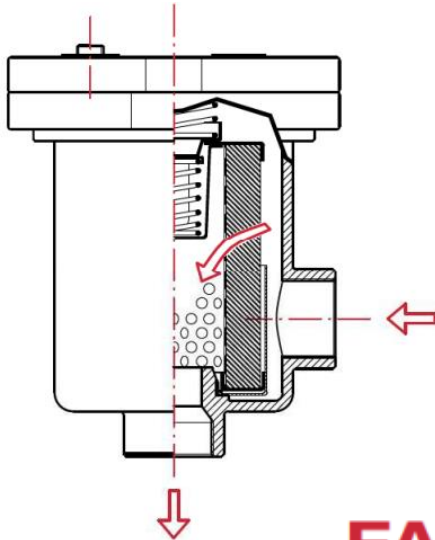


### Additional Data/Spec Sheet

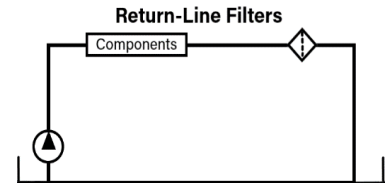
UCF Series Under Tank Lid Filters – 10 Micron – Complete Unit with Element  
 Element replacements also available - Also known as FAR Series

# SERIE FAR



#### TECHNICAL FEATURES:

- Cover: Aluminium die-casting
- Filter Body: Aluminium die-casting
- By-pass valve: Standard opening 1.7Bar (return), 0.25Bar (suction)
- Seals: Buna-N standard
- Operating Temperature: -25°C to +110°C
- Operating Pressure: 15Bar
- Burst Pressure: 45Bar
- Element collapse pressure: 10Bar
- Tested according standards: ISO 2941 / ISO 3724 / ISO 3968



## FAR.05-10-15

2 Fixing Holes		Dimensions mm								
MOD	A	B	C	D	E	F	G	H	I	L
FAR.05	1/2" bspp	71	125	40	66	19	48	80	100	Ø7.5

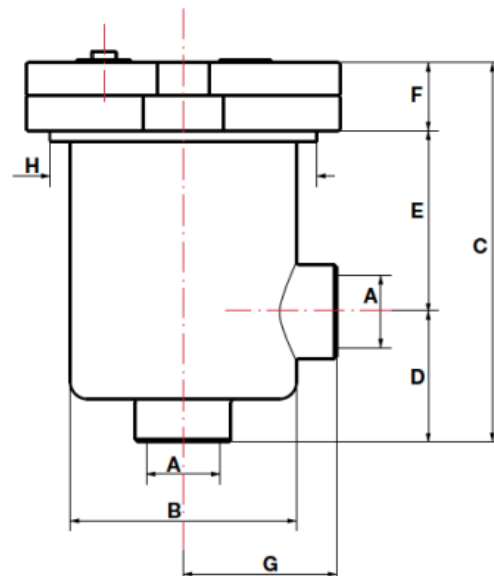
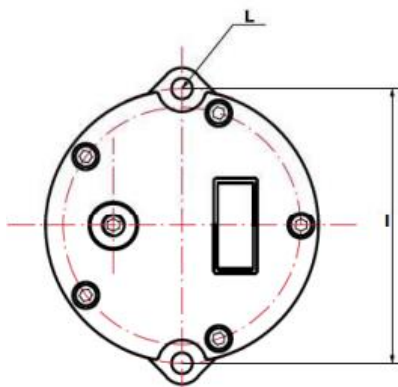
Fluidco Part code: FI-UCF01210 ↑

FAR.05	3/4" bspp	88	151	52	72	27	59	106	125	Ø9.5
--------	-----------	----	-----	----	----	----	----	-----	-----	------

Fluidco Part code: FI-UCF03410 ↑

FAR.05	1" bspp	88	195	52	116	27	59	106	125	Ø9.5
--------	---------	----	-----	----	-----	----	----	-----	-----	------

Fluidco Part code: FI-UCF10010 ↑



## FAR Flow rates on return line\*\*

Flow rate in l/min. measured with  $D_p=0.4$

FILTERING ELEMENT		PAPER
Mod.		K - 10 MICRON NOM
FI-UCF-01210	FAR.05	18
FI-UCF-03410	FAR.10	45
FI-UCF-10010	FAR.15	70

\*\* Flow rates measured with oil with 30 cSt kinematic viscosity and  $0.86 \text{ kg/dm}^3$

- Fluid compatibility: mineral oil (HH-HL-HM-HR-HV-HG) and synthetic fluids (HS-HFDR-HFDU-HFDS).

## Replacement Elements for UCF Filters

**FILTER: FI-UCF-01210 ELEMENT REPLACEMENT: FI-RTFE-0310**

**FI-UCF-03410**

**FI-RTFE-0610**

**FI-UCF-10010**

**FI-RTFE-1010**

**GB** SIF-FSI-HR-FAR series filters are mainly used on return line (discharge). They are directly assembled on hydraulic tank cover (tank-top), to clean fluid by contamination deriving from previous work of system components. SIF-FSI series filters are mounted semi-immersed in tank on return line, spin-on filters (disposable) series HR are mounted on tank cover, while filters FAR series are mounted semi-immersed in tank, mainly for stationary applications, on both suction and return line. It is a very versatile series of filters, designed for various applications: tools, agricultural and earthmoving machines, industrial vehicles, mobile and stationary applications in general. There are several models to meet all needs, from small to large flows, with different filter elements in order to ensure maximum protection to the circuit.