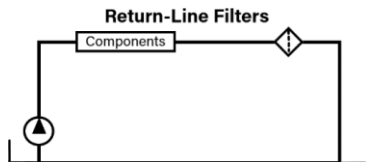


Additional Data/Spec Sheet

RTF Series Standard Tank Top Filters – 10 Micron – Complete Unit with Element
 Element replacements also available - Also known as SIF Series

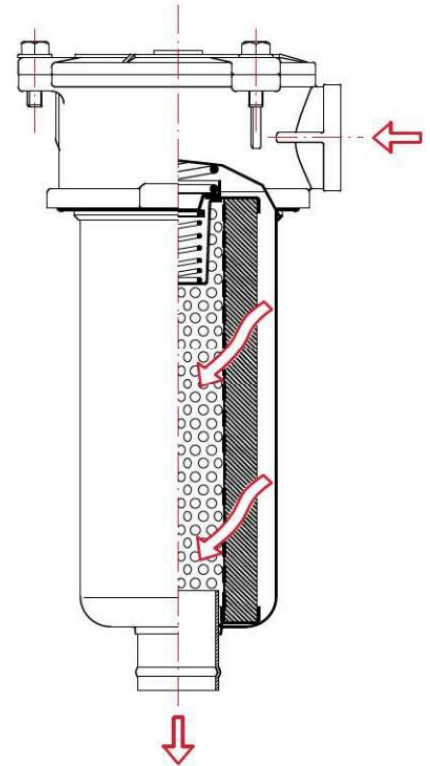
SERIE SIF



EN Return-line filters (discharge) for mounting semi-immersed in tank (tank-top filters).

TECHNICAL FEATURES:

- Head + cover: aluminium die-casting.
- Filter bowl: nylon (plastic) for series 10A+B/15B+C/20C. Galvanized steel for series 15L/20L+D/25D+E/30E+F+G/35H.
- By-pass valve: Standard opening 1,7 bar.
- Standard available filter elements: 10- Micron abs. Microfiber / 10- Micron nom. paper (norm. or rinf.) / 60-90 Micron nom. wire mesh.
- Seals: Buna-N standard.
- Operating temperature: -25°C +110°C.
- Operating pressure: 3 bar. Burst pressure: 10 bar.
- Tested according standards: ISO 2941 / ISO 3724 / ISO 3968.



SIF.10A/B - 15B/C/L - 20C/L **2 FIXING HOLES** DIMENSIONS mm

Mod.	A	B	C	D	E	F	G	H	I	L	M
SIF.10A	1/2" bspp	66	140	24	31	22	9	90	1/8" bspp	8	50

Fluidco Part code: FI-RTF-0310 ↑

SIF.15B	3/4" bspp	86	173	28	41	29	10	115	1/8" bspp	9	67
----------------	-----------	----	-----	----	----	----	----	-----	-----------	---	----

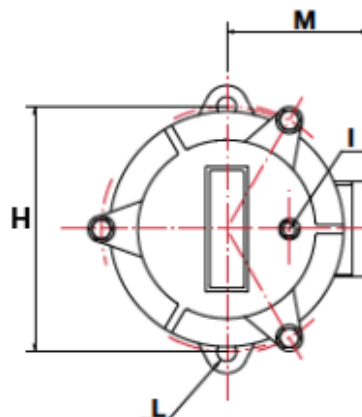
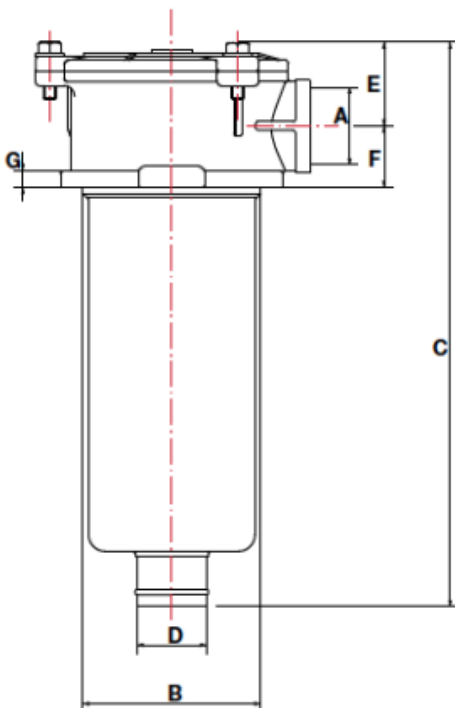
Fluidco Part code: FI-RTF-0610 ↑

SIF.15C	3/4" bspp	86	220	28	41	29	10	115	1/8" bspp	9	67
----------------	-----------	----	-----	----	----	----	----	-----	-----------	---	----

Fluidco Part code: FI-RTF-0810 ↑

SIF.20C	1" bspp	86	218	28	41	29	10	115	1/8" bspp	9	67
----------------	---------	----	-----	----	----	----	----	-----	-----------	---	----

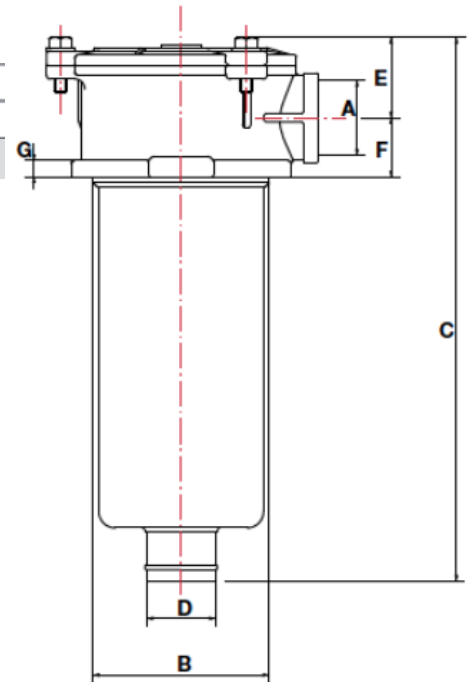
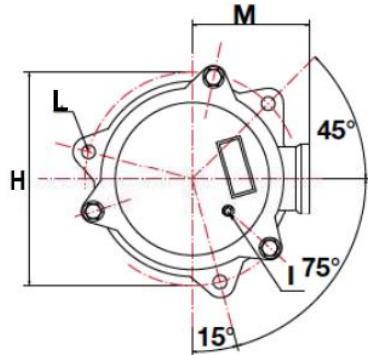
Fluidco Part code: FI-RTF-1010 ↑



SIF.25D 3 FIXING HOLES

Mod.	DIMENSIONS mm										
	A	B	C	D	E	F	G	H	I	L	M
SIF.25D	1" 1/4 bspp	129	314	40	50	36	10	175	1/8" bspp	11	95

Fluidco Part code: FI-RTF-1810 ↑

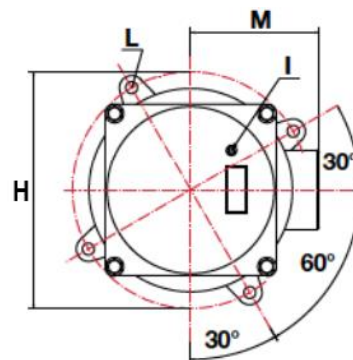
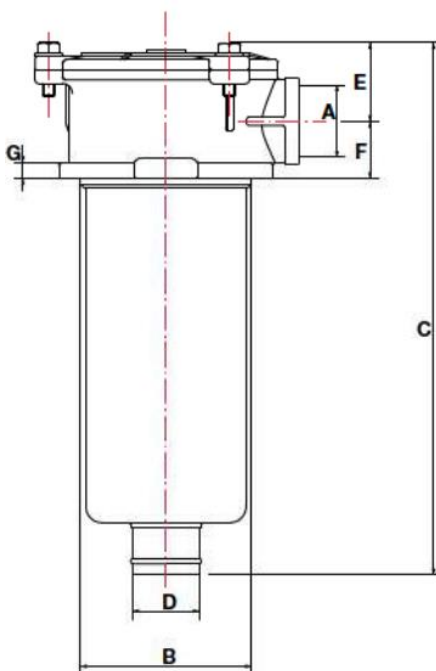


SIF.30F - 35H 4 FIXING HOLES

Mod.	DIMENSIONS mm										
	A	B	C	D	E	F	G	H	I	L	M
SIF.30F	1" 1/2 bspp	173	330	50	57	38	11	220	1/8" bspp	11	120
SIF.35H	2" bspp	173	377	63	57	38	11	220	1/8" bspp	11	120

Fluidco Part code: FI-RTF-3310 ↑

Fluidco Part code: FI-RTF-6010 ↑



SIF Flow rates on return line**

Flow rate in l/min. measured with
Dp=0.4 - 0.5 bar

FILTERING ELEMENTS		PAPER
Mod.		10 10 MICRON NOM
FLUIDCO PART NUMBER		
SIF.10A	FI-RTF-0310	20
SIF.15B	FI-RTF-0610	42
SIF.15C	FI-RTF-0810	58
SIF.20C	FI-RTF-1010	68
SIF.25D	FI-RTF-1810	120
SIF.30F	FI-RTF-3310	200
SIF.35H	FI-RTF-6010	350

** Flow rates measured with oil of 30 cst kinematic viscosity and 0,86 kg/dm³ density.

Fluid compatibility: mineral oil (HH-HL-HM-HR-HV-HG) and synthetic fluids (HS-HFDR-HFDU-HFDS).©

GB SIF-FSI-HR-FAR series filters are mainly used on return line (discharge). They are directly assembled on hydraulic tank cover (tank-top), to clean fluid by contamination deriving from previous work of system components. SIF-FSI series filters are mounted semi-immersed in tank on return line, spin-on filters (disposable) series HR are mounted on tank cover, while filters FAR series are mounted semi-immersed in tank, mainly for stationary applications, on both suction and return line. It is a very versatile series of filters, designed for various applications: tools, agricultural and earthmoving machines, industrial vehicles, mobile and stationary applications in general. There are several models to meet all needs, from small to large flows, with different filter elements in order to ensure maximum protection to the circuit.