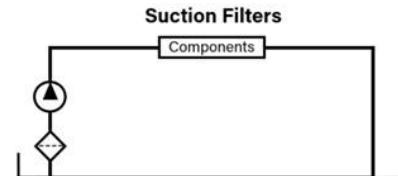
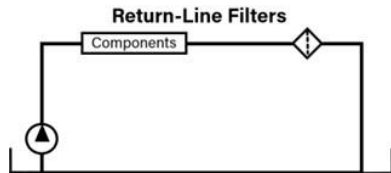


Additional Data/Spec Sheet

SO Series Spin Top | In-Line Filter Heads – Available in Suction and Return Line – BSP Thread
Also known as Series HL – Heads are known as THL / FI-SOH

SERIE HL



GB FB-HL series filters are used in-line mounting on low pressure hydraulic circuit, to protect the pump and system components from contamination. FB series filters are used in suction line, while the spin-on filters (disposable) HL series are used on both suction and return line. It is a very versatile series of filters, designed for various applications: tools, agricultural and earthmoving machines, industrial vehicles and mobile applications in general. There are several models to meet all needs, from small to large flows, with different filter elements in order to ensure maximum protection to the circuit.

TECHNICAL FEATURES:

Supporting Head: Aluminium die-casting

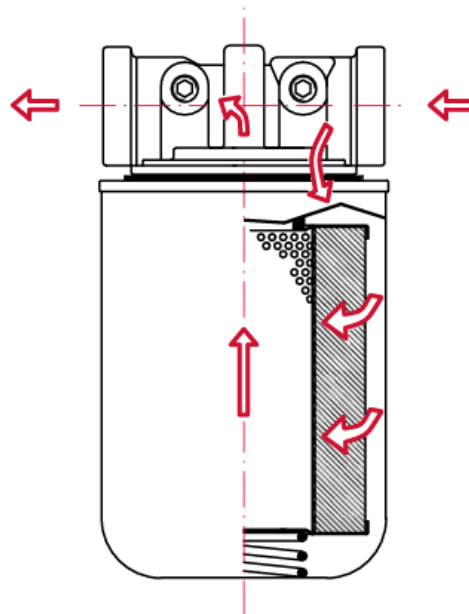
By-pass valve (Head): Opening 0.25Bar in suction / 1.7Bar on Return

We supply BSP Thread

Seal: Buna-N standard

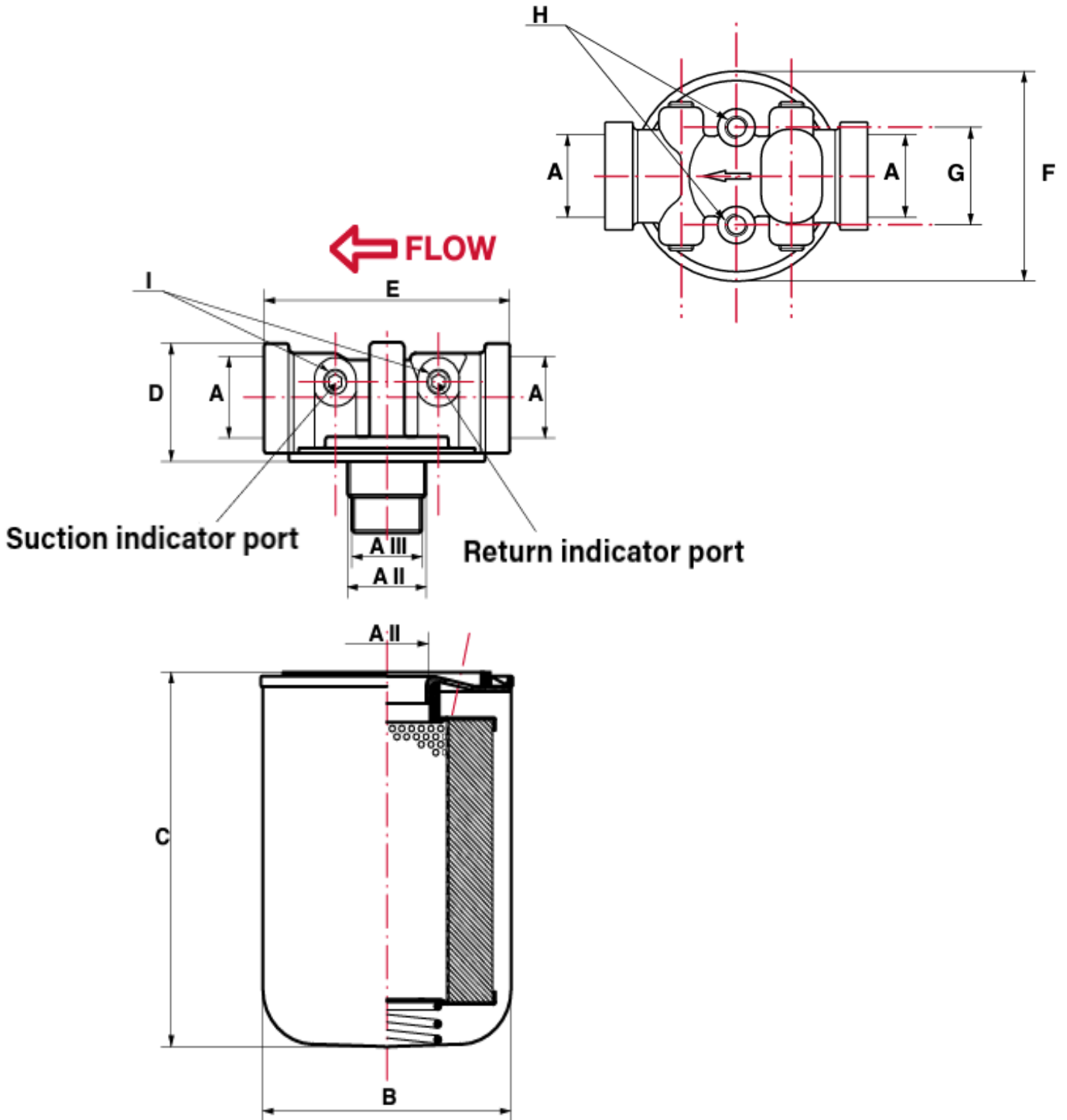
Operating Temperature: -30°C to +110°C

Tested according standards: ISO 2941 / ISO 3724 / ISO 3968

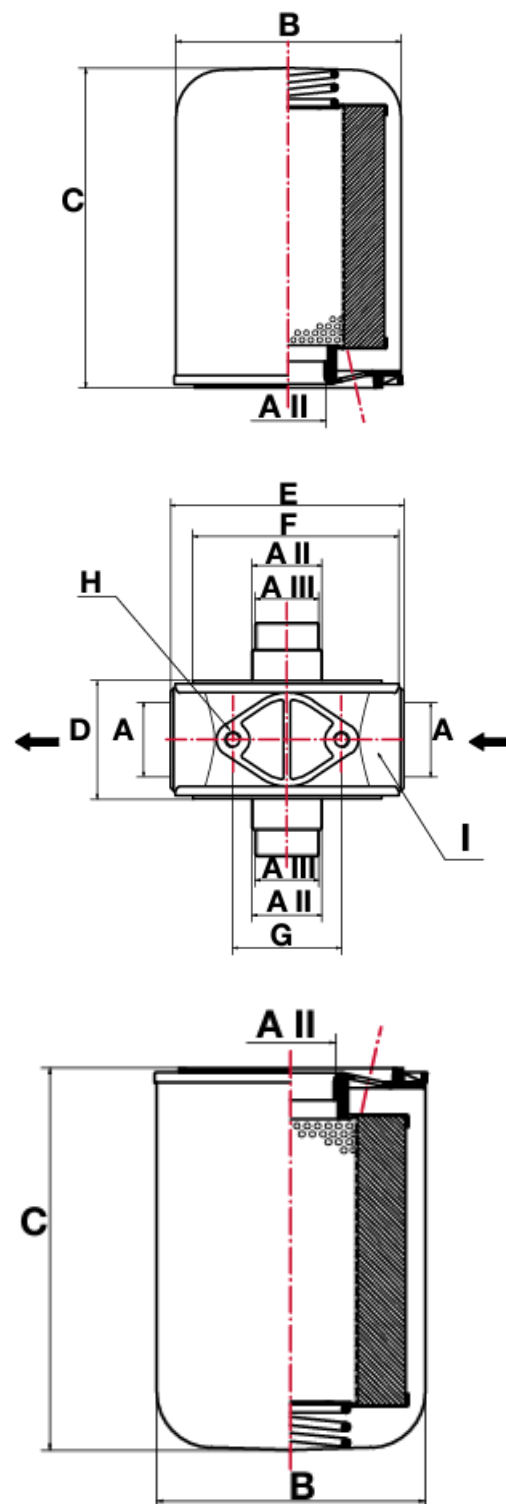


If you are needing to order an indicator Gauge:
we stock PG-FILTER-R for return line and PG-FILTER-S for suction.

HL10 - 20 Single Cartridge											Dimensions mm	
Fluidco Part nr	FBN Part nr	A	A II	A III	B	C	D	E	F	G	H	I
FI-SOH05-R	THL.10ST2	3/4" bsp	3/4" bsp	-	95	147	43	95	75.5	38	M8	1/8" bsp
FI-SOH05-S	THL.10ST1	3/4" bsp	3/4" bsp	-	95	147	43	95	75.5	38	M8	1/8" bsp
FI-SOH1012-R	THL.20ST2	1 1/4" bsp	1 1/4" bsp	1" 1/2-16 UNF	128	182	65	133	134	55	M8	1/8" bsp
FI-SOH1012-S	THL.20ST1	1 1/4" bsp	1 1/4" bsp	1" 1/2-16 UNF	128	182	65	133	134	55	M8	1/8" bsp



HL30 Opposed Double Cartridge						Dimensions mm						
Fluidco Part nr	FBN Part nr	A	A II	A III	B	C	D	E	F	G	H	I
FI-SOH1012-R-DO	THL30ST2	1 1/2" bsp	1 1/4" bsp	1 1/2"-16 UNF	18	182	71	140	113	65	M10	1/8" bsp



HL40 Parallel Double Cartridge				Dimensions mm							
Fluidco Part nr	FBN Part nr	A	A II	B	C	D	E	F	G	H	I
FI-SOH1012-R-DS	THL40ST2	1 1/2" bsp	1 1/4" bsp	128	182	82	287	138	150	M10	1/8" bsp

