

Additional Data/Spec Sheet

SO Series Spin Top | In-Line Filter Element/Cartridge – BSP Thread
Also known as Series HL – Cartridge/Elements are known as FHL / FI-SOE

SERIE HL

GB FB-HL series filters are used in-line mounting on low pressure hydraulic circuit, to protect the pump and system components from contamination. FB series filters are used in suction line, while the spin-on filters (disposable) HL series are used on both suction and return line. It is a very versatile series of filters, designed for various applications: tools, agricultural and earthmoving machines, industrial vehicles and mobile applications in general. There are several models to meet all needs, from small to large flows, with different filter elements in order to ensure maximum protection to the circuit.

TECHNICAL FEATURES:

Supporting Head: Aluminium die-casting

By-pass valve (Head): Opening 0.25Bar in suction / 1.7Bar on Return

We supply BSP Thread

Spin On Element: Galvanized steel structure, Filter element in Paper

Seal: Buna-N standard

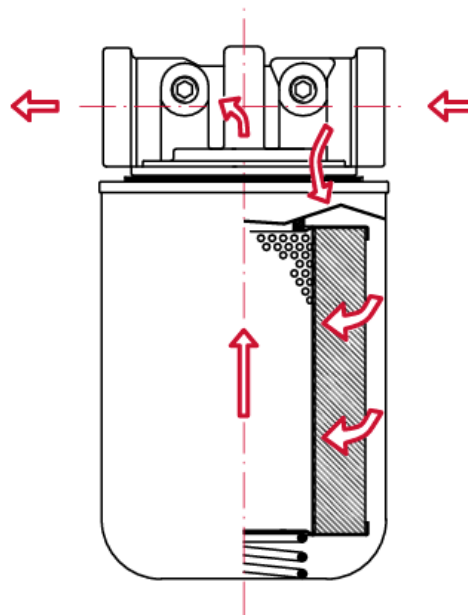
Operating Temperature: -30°C to +110°C

Operating Pressure: 12Bar

Burst Pressure: 25Bar

Element Collapse Pressure: 5Bar

Tested according standards: ISO 2941 / ISO 3724 / ISO 3968



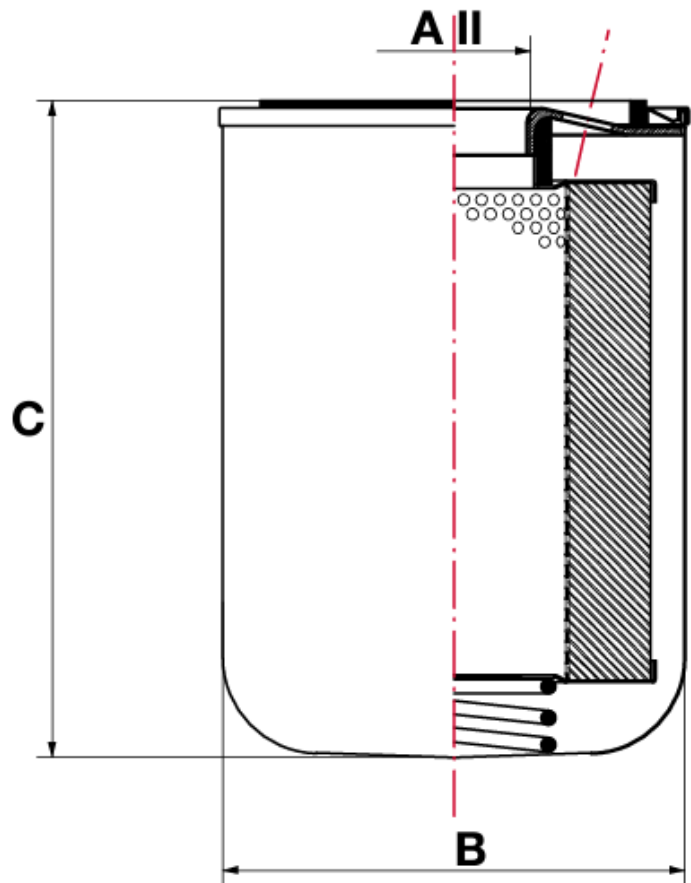
If you are needing to order an Indicator Clogging Gauge:
We stock PG-FILTER-R for return line and PG-FILTER-S for suction.

HL10 - 20 Single Cartridge		Dimensions mm		
Fluidco Part nr	FBN Part nr	A II	B	C
FI-SOE05-10	FHL.1M10	3/4" BSP	95	147
FI-SOE05-25	FHL.1M25	3/4" BSP	95	147
FI-SOE10-010	FHL.3M10	1 1/4" BSP	128	182
FI-SOE10-025	FHL.3M25	1 1/4" BSP	128	182

CARTRIDGE:

1	3/4" Ø95 H.147 (10)
3	1"1/4 Ø128 H.182 (20-30-40)

M10	CARTA 10µm nom. 10µm PAPER nom.
M25	CARTA 25µm nom. 25µm PAPER nom.



HL suction flow rates**

Flow rate in l/min. measured with
Dp=0.05 - 0.10 bar

FILTERING ELEMENTS		PAPER	
Fluidco Part nr	FBN Part nr Mod.	M10 - 10 MICRON NOM	M25 - 25 MICRON NOM
FI-SOE05-10	FHL.1 HL101	16	20
FI-SOE05-25	FHL.1 HL101	16	20
FI-SOE10-010	FHL.3 HL303	115	130
FI-SOE10-025	FHL.3 HL303	115	130

** Flow rates measured with oil of 30 cSt kinematic viscosity and 0.86 kg/dm³

HL Flow rates on return line**

Flow rate in l/min. measured with
Dp=0.4 - 0.5 bar

FILTERING ELEMENTS		PAPER	
Fluidco Part nr	FBN Part nr Mod.	M10 - 10 MICRON NOM	M25 - 25 MICRON NOM
FI-SOE05-10	FHL.1 HL101	68	73
FI-SOE05-25	FHL.1 HL101	68	73
FI-SOE10-010	FHL.3 HL303	290	325
FI-SOE10-025	FHL.3 HL303	290	325

** Flow rates measured with oil of 30 cSt kinematic viscosity and 0.86 kg/dm³

- Fluid compatibility: mineral oil (HH-HL-HM-HR-HV-HG) and synthetic fluids (HS-HFDR-HFDU-HFDS).