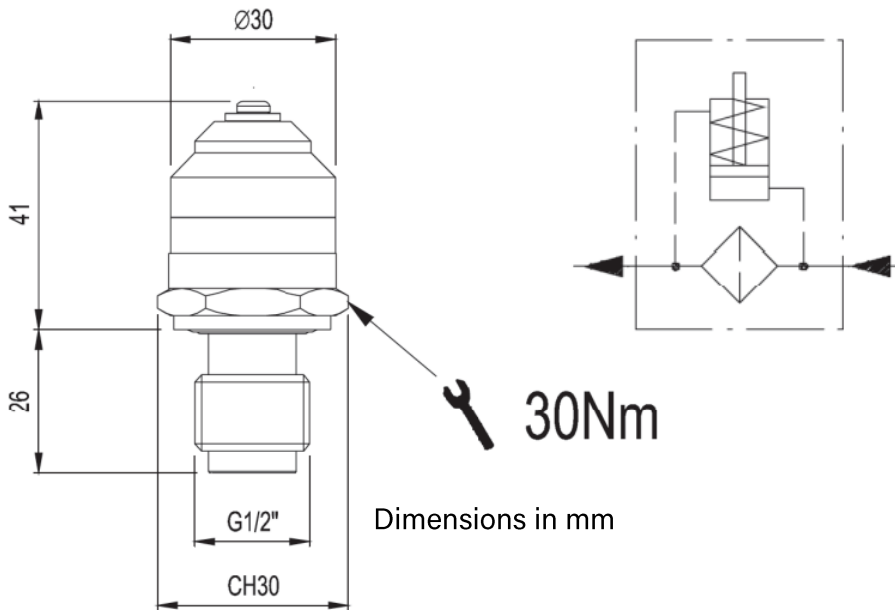


**Additional Data/Spec Sheet**

HPV Visual Differential Clogging Indicator and HPVE Visual Electrical Clogging Indicator

For the FI-HPF High Pressure Filters

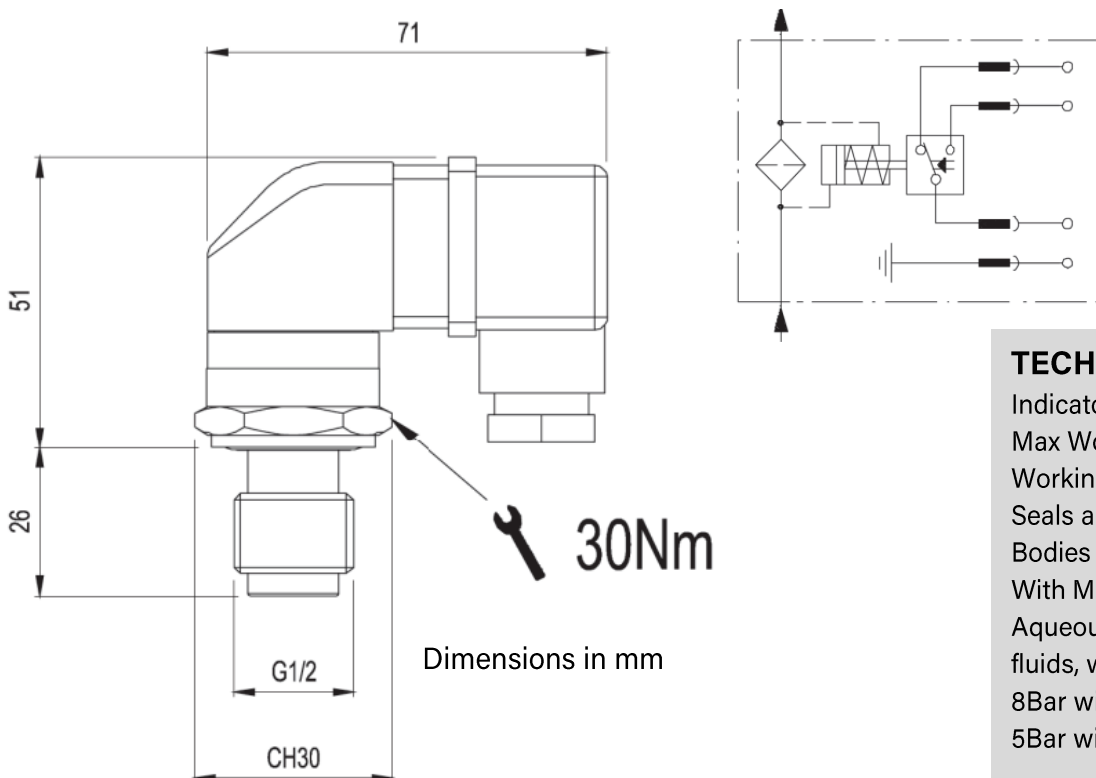
**HPV Visual Differential Clogging Indicator**



**TECHNICAL FEATURES**

To properly maintain your system  
To the correct ISO 4406  
Contamination class, we recommend  
using correct filters with the correct  
clogging differential indicator.  
8Bar with No By-Pass/CV.  
5Bar with By-Pass/CV.

**HPVE Visual Electrical Differential Clogging Indicator**



**TECHNICAL FEATURES**

Indicator body in brass  
Max Working Pressure 420Bar  
Working Temp: -35°C to +110°C  
Seals are HNBR or FPM  
Bodies and seals compatible  
With Mineral oils to ISO 2943  
Aqueous emulsions synthetic  
fluids, water and glycol.  
8Bar with No By-Pass/CV.  
5Bar with By-Pass/CV.