

Additional Data/Spec Sheet

HPF30, HPF60 & HPF90 Series High Pressure Filters – BSP Threaded – Buna Seal
 All Elements are F10 10µm MicroFibre – Including By-Pass – 10Bar Pressure Drop



HPF30 - High pressure filters

HPF 30

HPF is the high pressure filter series for pressure up to 420 bar. Our product range is composed by 3 different size with nominal rated flow up to 350 l/min.

TECHICAL DATA

- Max working pressure 420 bar
- Testing pressure 600 bar
- Collapse pressure 20 or 210 bar
- Working temperature from -20 up to +95°C
- By-pass valve setting at 6 bar ± 10%

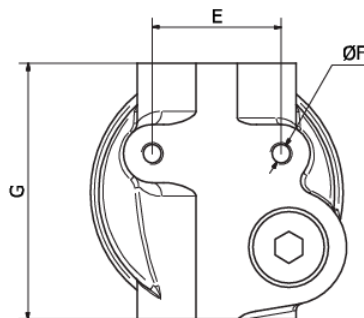
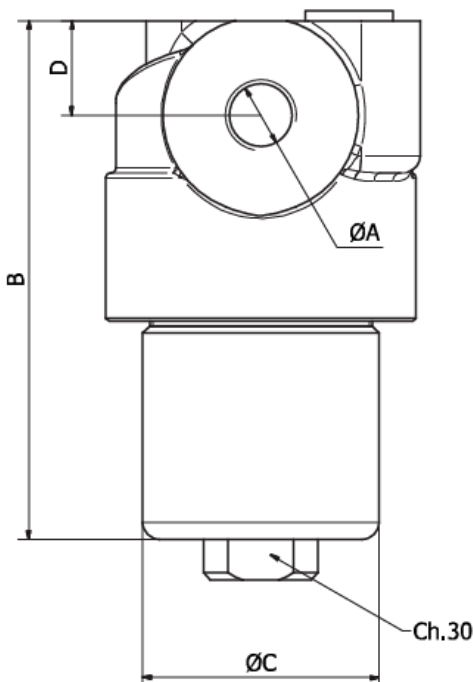
Part Number

Connections

Fluidco	RB Hydraulics	A	F	Element	Flow Lpm
FI-HPF-08	HPF301F10ANR	1/2" BSP	M8	F10	33
FI-HPF-12	HPF302F10ANR	3/4" BSP	M8	F10	50

Dimensions mm

Part nr	B	C	D	E	F	G	Weight (kg)
FI-HPF-08	103	Ø70	29	47	M8	85	4.2
FI-HPF-12	145	Ø70	29	47	M8	85	4.5



Filtration ratio

F10 10 µm - fibra

SEALS

N Buna

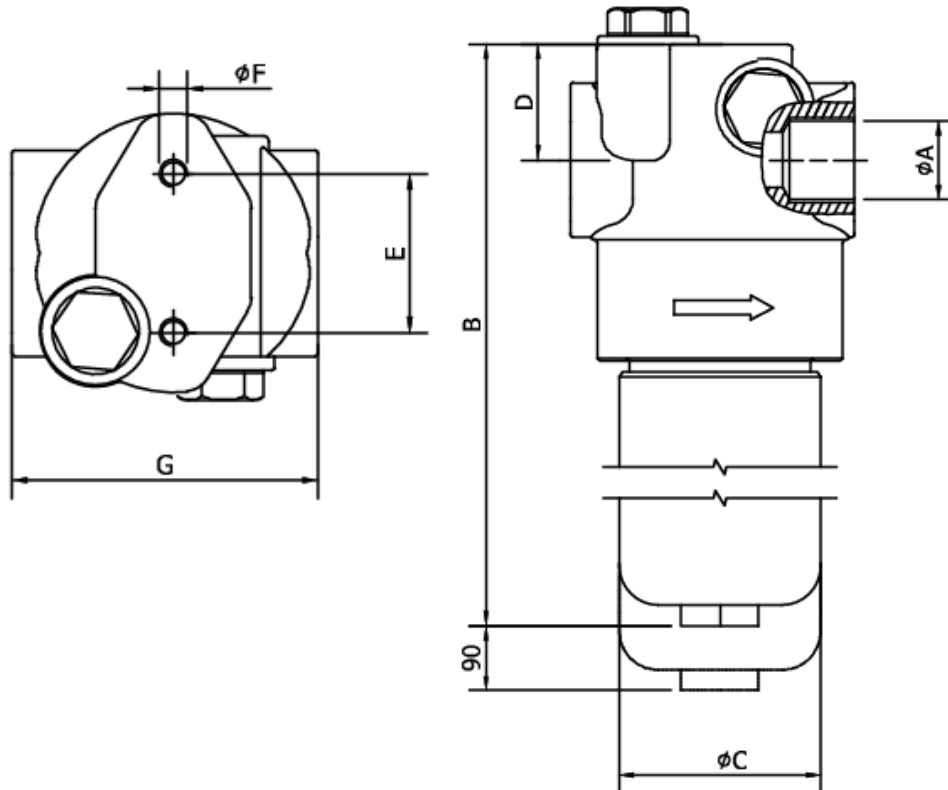
ΔP CARUCCIA

A 20 bar

BY-PASS

R Δp 6 bar

HPF60- High pressure filters



Part Number

Connections

Fluidco	RB Hydraulics	A	F	Element	Flow Lpm
FI-HPF-16	HPF602F10ANR	1" BSP	M10	F10	115

Dimensions mm

Part nr	B	C	D	E	F	G	Weight (kg)
FI-HPF-16	380	Ø78	45	57	M10	110	9.2

Filtration ratio

F10 10 µm - fibra

SEALS

N Buna

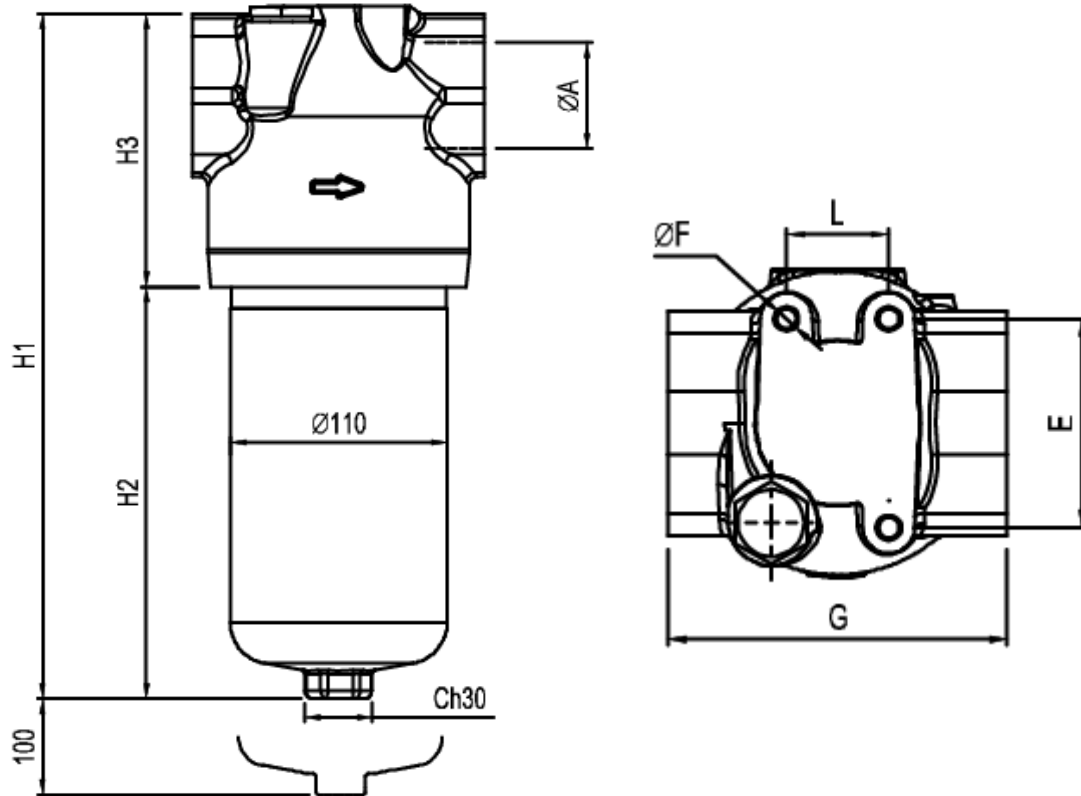
ΔP CARUCCIA

A 20 bar

BY-PASS

R Δp 6 bar

HPF90 - High pressure filters



Part Number

Connections

Fluidco	RB Hydraulics	A	F	Element	Flow Lpm
FI-HPF-20	HPF902F10ANR	1 1/4" BSP	M12	F10	220

Dimensions mm

Part nr	H1	H2	H3	G	E	L	F	Weight (kg)
FI-HPF-20	457	319	128	143	88	43	M10	17.3

SEALS		BY-PASS		ΔP CARUCCIA		Filtration ratio	
N	Buna	R	Δp 6 bar	A	20 bar	F10	10 μm - fibra

Element Replacement Codes for HPF30/60/90 Series

Element Part Numbers

For Filter

Fluidco	RB Hydraulics	Fluidco	Type	Filtration ratio	ΔP Caruccion
FI-HPFE-08-10	HPFE301F10AN	FI-HPF-08	301	F10 10μm - <u>fibra</u>	A 20Bar
FI-HPFE-12-10	HPFE302F10AN	FI-HPF-12	302	F10 10μm - <u>fibra</u>	A 20Bar
FI-HPFE-16-10	HPFE602F10AN	FI-HPF-16	602	F10 10μm - <u>fibra</u>	A 20Bar
FI-HPFE-20-10	HPFE902F10AN	FI-HPF-20	902	F10 10μm - <u>fibra</u>	A 20Bar