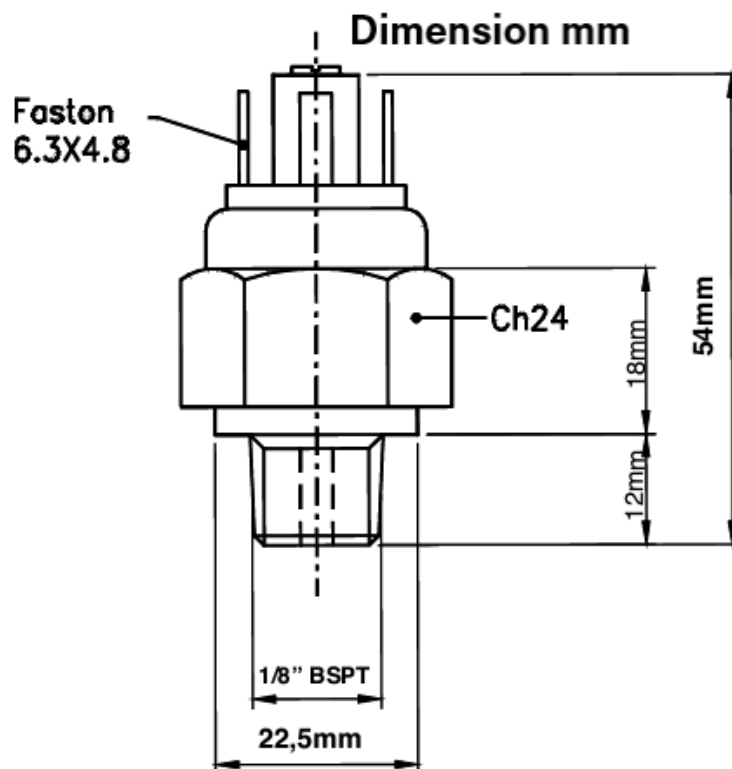
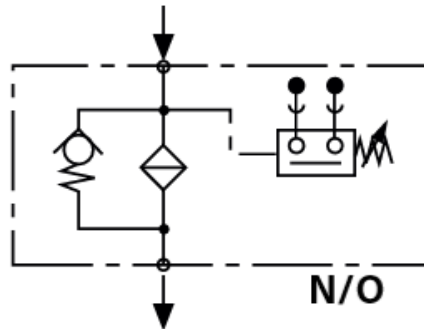


Additional Data/Spec Sheet

FI-E-02 Return Line Electric Clogging Indicator – Normally Open – 1.5Bar

For FI-SO | FI-RTF | SIF | THL | AFR | OMTF | OMTF Series Filters

FBN Return Line Electrical Clogging Indicator 1.5Bar



Fluidco Part nr: FI-FI-E-02

SERIES	SETTING	TIPO - TYPE
P	1,5 Bar	Pressure switch N.O. (Max 240V/0,4A) / (48V/0,5A)