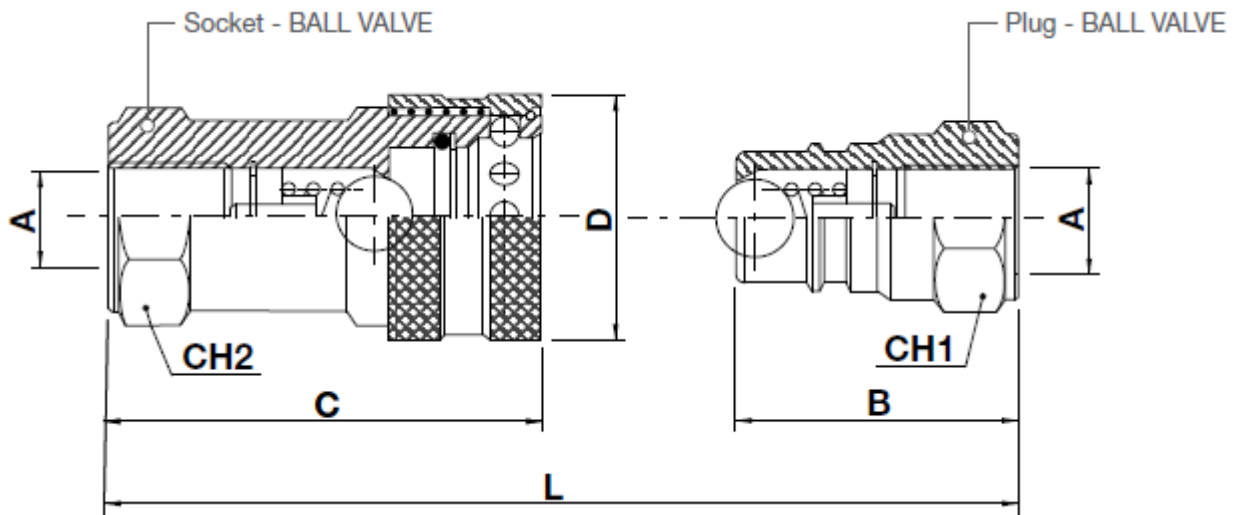


Additional Data/Spec Sheet

Hydraulic Quick Release Couplers – QCF/M Ball Series - Ball Type – Agricultural Interchange

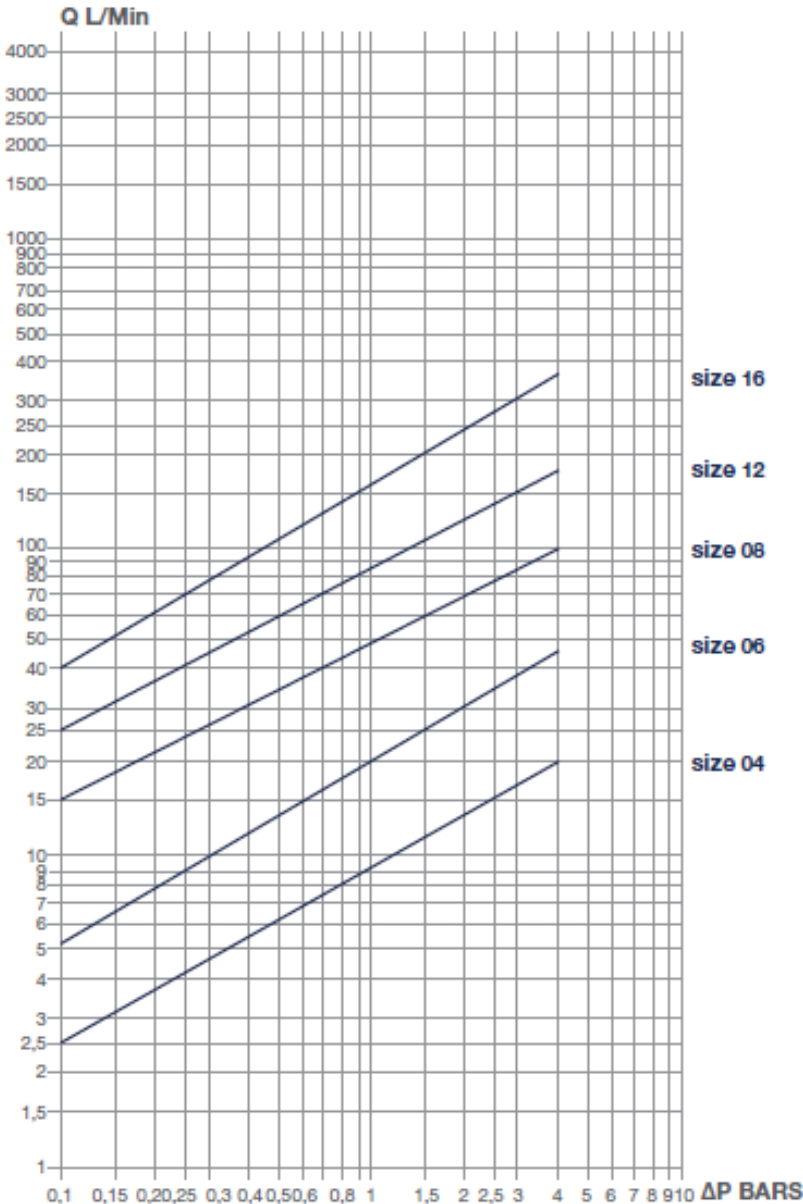
Hardened Carbon Steel – Nitrile Seal – Couper/Body & Nipple/Insert – also knows as N Series



size	Ø DN		code			Ø A	B		C		Ø D		L		CH1		CH2		
	mm	inch	plug	socket			mm	in	mm	in	mm	in	mm	in	mm	in	mm	in	
04	6	1/4"	NM20-04	NF20-04	1/4" BSP	35	1,38	52	2,05	27	1,06	70,5	2,78	19	0,75	21	0,83	QCM-04-BALL	QCF-04-BALL
06	10	3/8"	NM20-06	NF20-06	3/8" BSP	39	1,54	60	2,36	35	1,38	80	3,15	22	0,87	27	1,06	QCM-06-BALL	QCF-06-BALL
08	12	1/2"	AM20-08	AF20-08	1/2" BSP	45	1,77	67	2,63	38	1,50	92	3,62	27	1,06	30	1,18	QCM-08-BALL	QCF-08-BALL
12	20	3/4"	NM20-12	NF20-12	3/4" BSP	53	2,09	82	3,23	46	1,81	106,5	4,19	34	1,34	38	1,50	QCM-12-BALL	QCF-12-BALL
16	25	1"	NM20-16	NF20-16	1" BSP	68,5	2,70	103	4,05	56	2,17	120	4,72	41	1,61	45	1,77	QCM-16-BALL	QCF-16-BALL

PRESSURE DROP GRAPH

referred to poppet valve couplings



MAIN DATA

- Standard material: steel;
- Plugs treated with induction hardening;
- Internal valves in hardened steel;
- Standard seals in nitril rubber;
- Back-up seals in teflon;
- Working temperature with standard nitril seals: -20 °C / +110 °C.

Important Note:

"Screwing NPT thread is not recommended to avoid cracking problems because of male nipples are heat-treated and are in BSP thread size."

FLUID: HYDRAULIC OIL SAE 10W - TEMPERATURE: 50 °C - VISCOSITY: 3 E°

PERFORMANCES

size	Ø DN		maximum working pressure		burst pressure		weight			
							plug		socket	
	mm	inch	bar	psi	bar	psi	kg	lbs	kg	lbs
04	6	1/4"	350	5075	1400	20300	0,04	0,09	0,10	0,22
06	10	3/8"	315	4567,5	1260	18270	0,07	0,15	0,20	0,44
08	12	1/2"	250	3625	1000	14500	0,10	0,22	0,26	0,57
12	20	3/4"	250	3625	1000	14500	0,18	0,40	0,50	1,10
16	25	1"	230	3335	920	13340	0,29	0,64	0,76	1,68