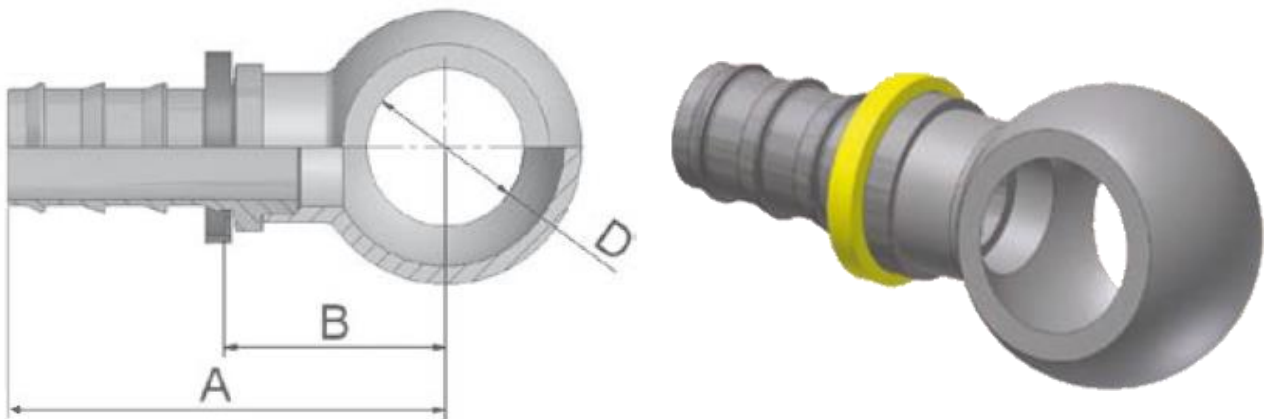


Additional Data/Spec Sheet

82 Series – Low Pressure – Push-Lok Barb Fitting – Metric Banjo - Straight

Self-grip Hose Fitting – DIN 7642 – Carbon Steel Body, Zinc Plated



To be used with Push-Lok Hose or Equivalent Hose

Approved fitting series for hose types:



Fluidco and Parker 82 Series Part Number	Hose I.D.	Hose I.D.				D	A	B
		DN	Inch	Size	mm	mm	mm	mm
PL-MBJ-1204S	34982-12-4	6	1/4	-4	6,3	12	40	21
PL-MBJ-1206S	34982-12-6	10	3/8	-6	9,5	12	44	21
PL-MBJ-1606S	34982-16-6	10	3/8	-6	9,5	16	49	26
PL-MBJ-1808S	34982-18-8	12	1/2	-8	12,7	18	55	28

Industry Applications:

Machine Tools, Paper Industry, Injection Moulding Machines, Chemical Industry, Transfer Lines, Automotive, Blow Forming Machines, Robots, Welding Installations, Power Electronics.

Main Applications:

Cooling and cutting fluid circuits, Water circuits for tool cooling and temperature control, Compressed air, Leak oil, Water, emulsions and alkalis, Vacuum, Welding gun cooling, Cooling circuits for thyristor controls

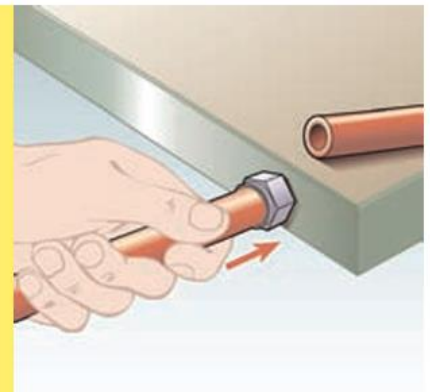
Benefits:

One fitting for all push-lok hoses, Simple assembly without tools or clamps, Long service life, Low assembly cost

Assembly Instructions



1. Cut the hose right angled with a sharp knife. If necessary it is possible to use a lubricant (water/ soap solution with 5 % soap fluid and 95 % water) for easy assembly.
2. Insert fitting into hose until first barb is in hose. Place end of fitting against a flat object (bench, door, wall) and grip hose approximately 1" from end and push with a steady force until end of hose is covered by yellow plastic collar. Alternatively please use the Parker Assembly Tool No. 611050G.

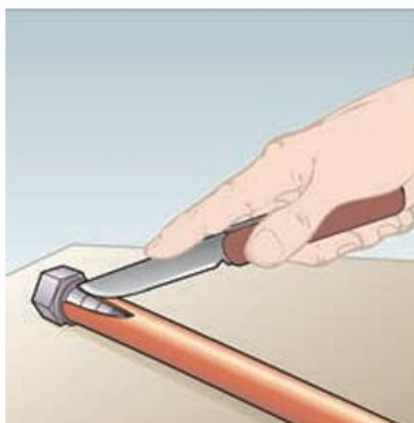


Attention!

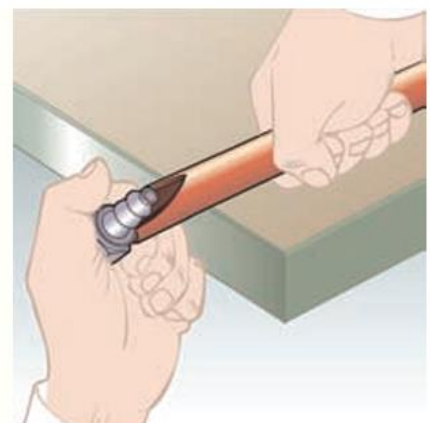
During assembly, please keep in mind that Push-Lok fittings will provide an effective grip only when the Push-Lok hose is pushed fully on the insert, where the cropped end of the hose should be fully concealed by the plastic collar.

For easy assembly of hose 830M, 837BM and 837PU please use only Push-Lok Assembly Oil No. H896137. Push-Lok Assembly Oil is free from wetting disturbing substances. Don't use oil, lubricant or soap fluids for this hose!

Disassembly Instructions



1. Cut lengthwise along a line at approximately a 20 angle from centre line of hose. The cut should be approximately 1" long. Be careful not to nick barbs when cutting the hose.
2. Grip hose and give a sharp down-ward tug to disengage from fitting.



Attention!

Before re-use of the nipple please check nipple for damage. Damaged nipples can cause leakage.