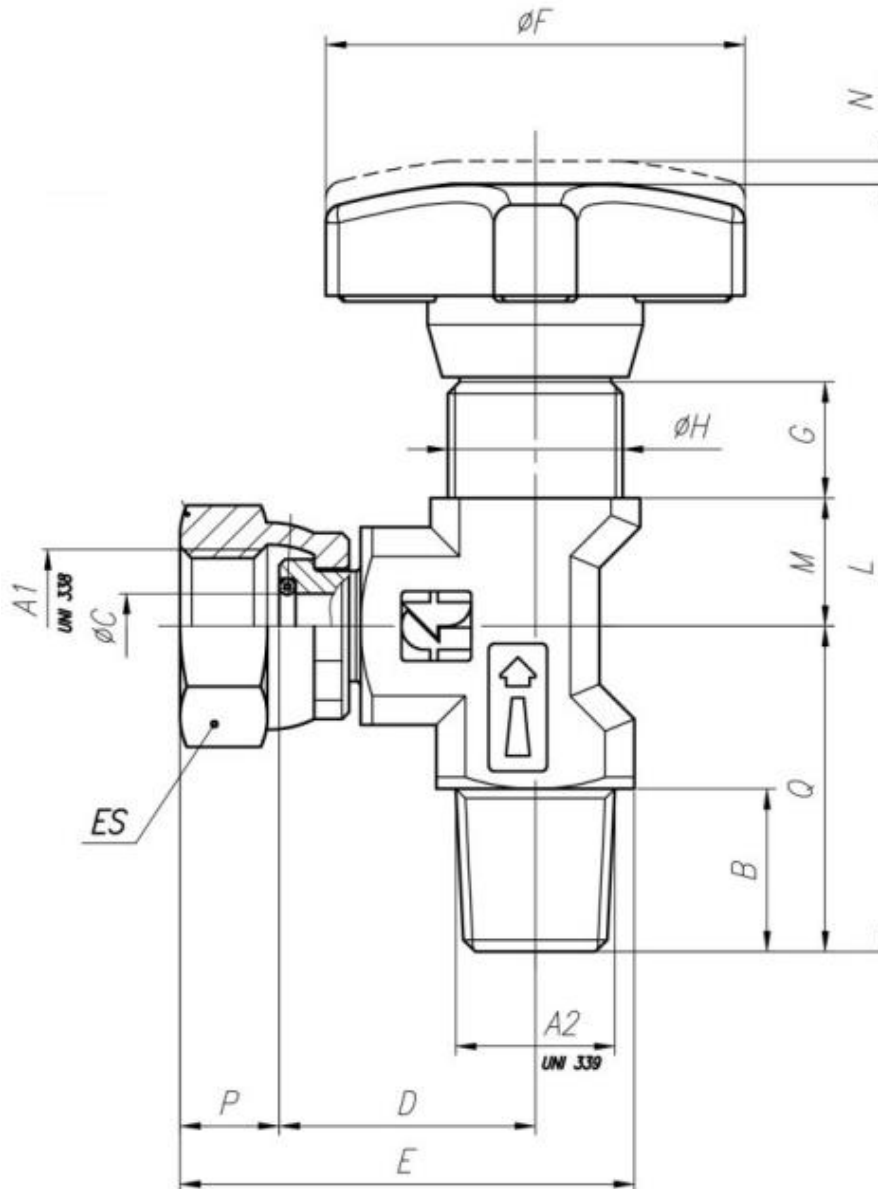


Additional Date/Spec Sheet

Flow Control Valve – Gauge Isolator Needle Valve 90°
2 Ports – 1/4" BSP - No Venting – Includes Handwheel – with Swivelnut

Dimension Drawing:



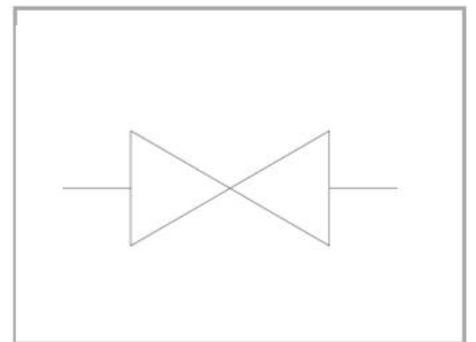
TIPO / TYPE	A1 UNI 338	A2 UNI 339	B	ØC	D	E	ØF	G	H
14	1/4" G	1/4" Gc	14	5,6	22,0	40	34	10	M15x1
TIPO / TYPE	L	M	N	P	Q	OR	Es.	PESO / WEIGHT KG	
14	66	11	2	8,5	28	2018	18	0,105	

90° gauge isolators

90° Gauge isolator for manometer, threads available from size 1/4" , with swivel nut for manometer direction when mounting

90° needle valve with handwheel

Carbon steel



Type	Size	Max. working pressure bar
14	1/4"	400