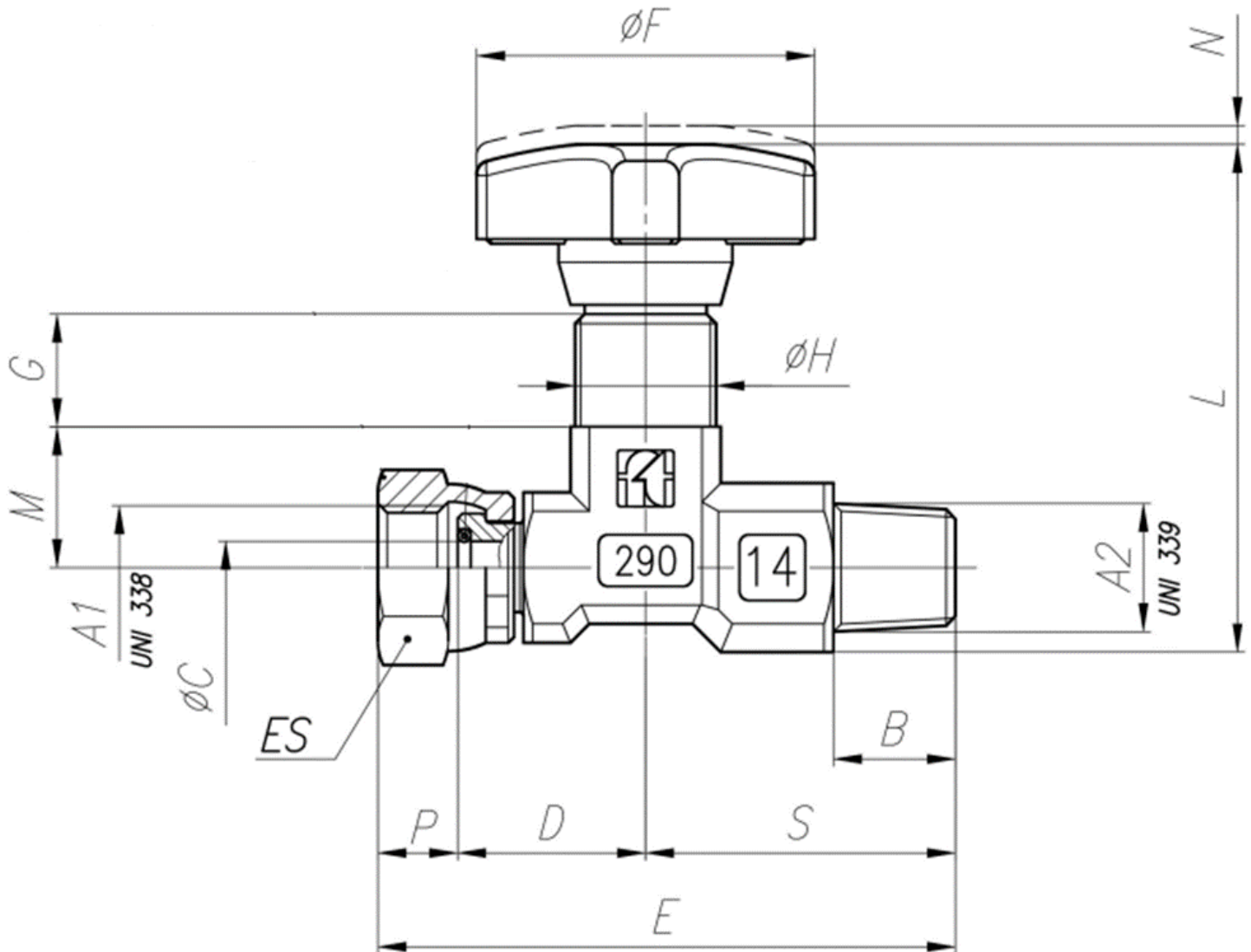


Additional Date/Spec Sheet

Flow Control Valve – Gauge Isolator Needle Valve In-Line
2 Ports – 1/4" BSP – No Venting – Includes Handwheel – with Swivelnut

Dimension Drawing:



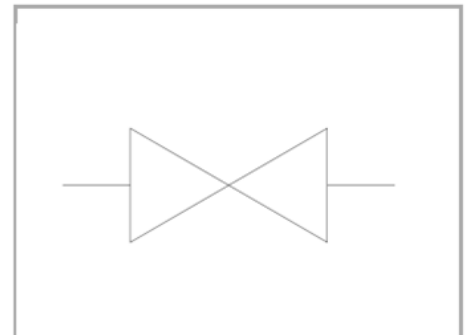
| TIPO / TYPE | A1 UNI 338 | A2 UNI 339 | B | øC | D | E | øF | G | H |
|-------------|---------------|---------------|----|-----|----|------|-----|---------------------|-------|
| 14 | 1/4" G | 1/4" Gc | 13 | 5,6 | 20 | 61,5 | 34 | 12 | M15x1 |
| TIPO / TYPE | L | M | N | P | S | OR | Es. | PESO / WEIGHT KG | |
| 14 | 53 | 15 | 2 | 8,5 | 33 | 2018 | 18 | 0,130 | |

In line gauge Isolators

In line gauge isolators, threads available with sizes 1/4" - 1/2", with swivel nut for manometer direction during mounting

In line needle valves with handwheel

Carbon steel



| Type | Size | Max. working pressure bar |
|------|------|---------------------------|
| 14 | 1/4" | 400 |