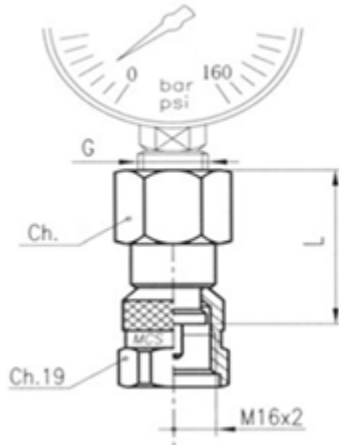


## Additional Date/Spec Sheet

M16x2 Female to BSP Female Pressure Gauge Adapter  
Pressure Gauge Swivel Adapter

### Series 620.09 - Pressure gauge adapter



Part No.	Thread G	p max. bar	Dimensions	
			Ch.	L
PG-CSHO-G04	ISO 228 G1/4"	630	19	34
PG-CSHO-G08	ISO 228 G1/2"	630	27	19

#### **TECHNICAL DATA**

Reference norm	ISO 15171-2
Working pressure	630 bar max.
Burst pressure	>2520 bar

#### **APPLICATIONS**

Pressure check in hydraulic systems  
Lubrication  
Air bleeding  
Oil samples drawing  
Microhydraulics

#### **FLUIDS**

Hydraulic oils and mineral-based oils  
Compatibility with other fluids and/or gases on request

#### **MATERIALS**

Test point's body and cap made of steel 11SMnPb37  
Anti-vibration sealing made of BUNA N. (optional)  
Stainless steel AISI 316 - DIN 14436: on request

#### **WORKING TEMPERATURE:**

##### **WITH STEEL CAP**

with sealing in BUNA N.	-30°C up to +120°C
with sealing in VITON	-20°C up to +200°C