

Additional Date/Spec Sheet

Micro Hose Flexible or Mini Test Hose

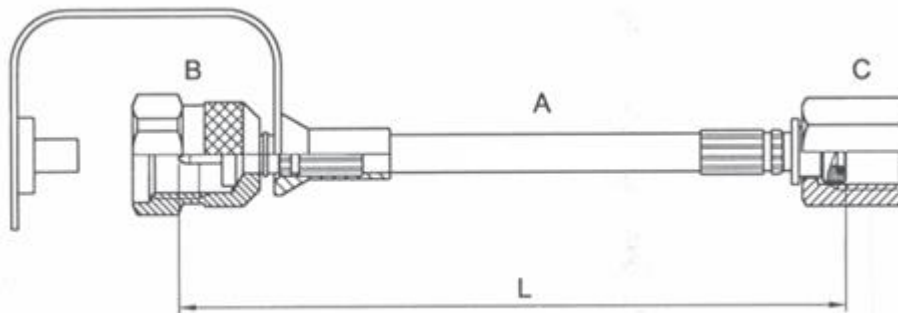
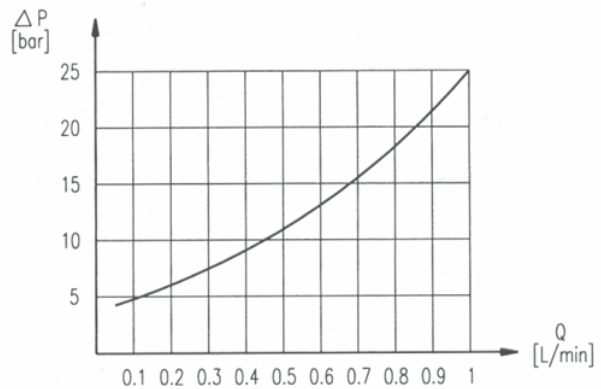
M16x2 test point hose end to BSP -04 Female gauge connector

Lengths available in mm: 200, 300, 400, 500, 600, 800, 1000, 1500, 2000, 3000, 4000 & 5000

Pressure Drop

Hose 6400

in a 1-meter-long hose with mineral oil with a viscosity = 35mm² / s².



B = M16x2 Test Point Hose End

C = BSP -04 Female / BSP 1/4" Female Pressure Gauge Connection

A & L = Required length of 6400 Hose

Micro-hoses and fittings - Technical Data

	Hose 6400
inside diameter	2 mm ±0.1
outside diameter	5 mm ±0.1
minimum bend radius	20 mm
max. working pressure	630 bar
test pressure	950 bar
min. burst pressure	1900 bar
working temperature	-40°C + 100°C
temperature / working pressure	-20°C +50°C : 100%
tube	polyamide
braid	kevlar
cover	polyamide
weight per meter	18g