

Additional Date/Spec Sheet

Cetop 7 NG16 Subplate - ES710P - 1" BSP Ports A-B-T-P on Rear/Bottom

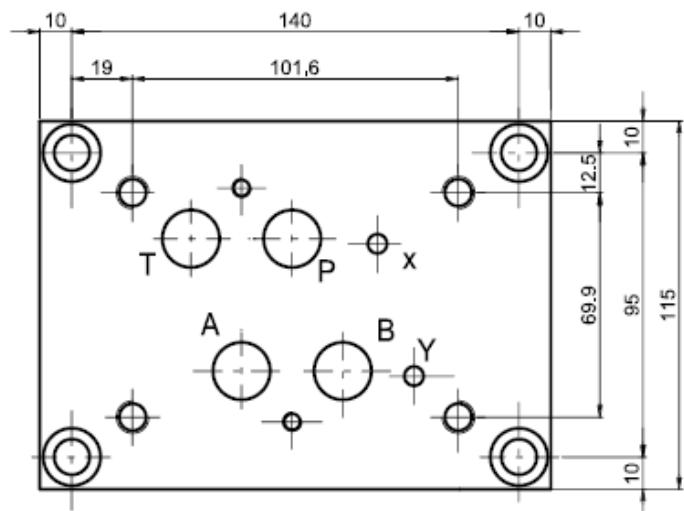
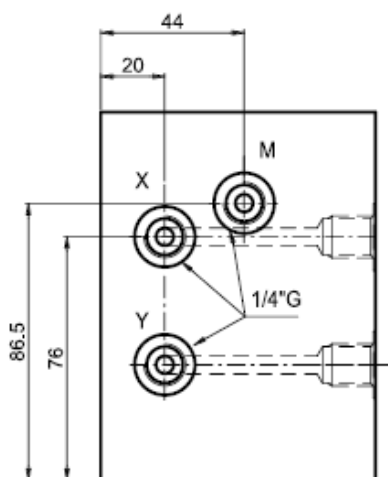
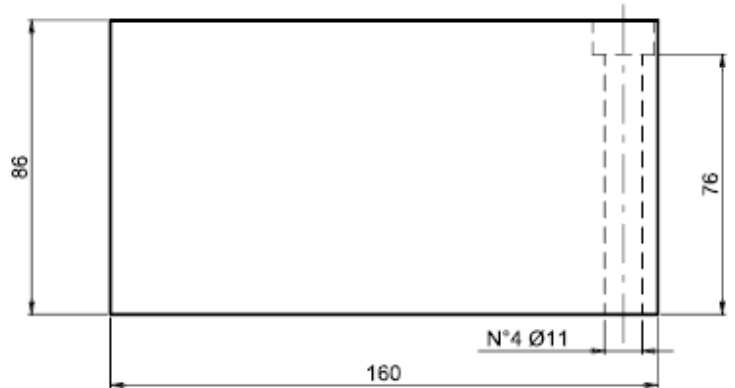
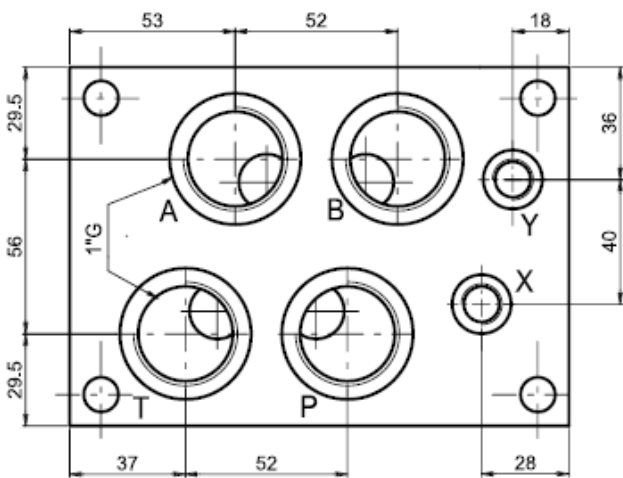
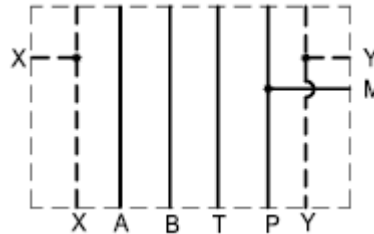
SUBPLATE

TYPE ES710P

Subplate with A-B-P-T on rear = 1" G

Weight = 10 Kg

Hydraulic symbol



Ordering code:

Esempio di ordinazione:

ES	7	10	P
----	---	----	---

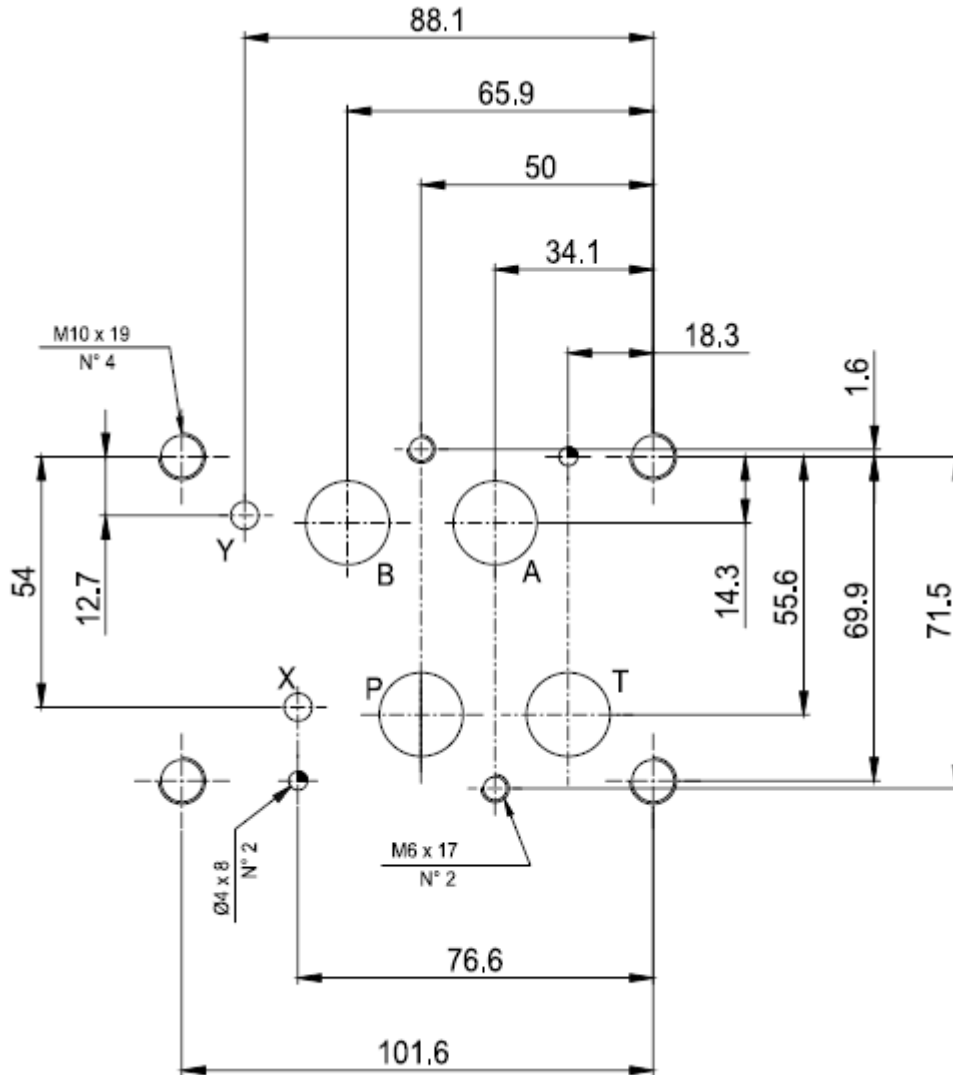
subplate = S
Base singola =

CETOP 7

1" G = 10

P = A - B - P - T on rear / posteriori

CETOP 7 - NG16

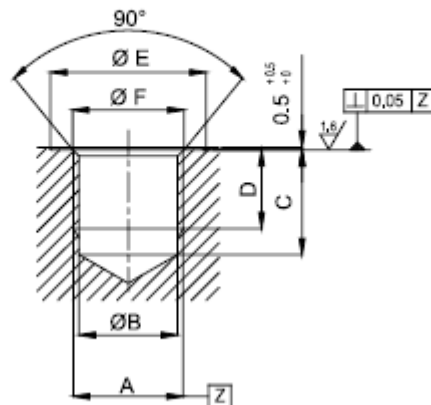


TECHNICAL NOTES

Ports dimension - Thread UN-ISO 228

Dimensione utilizzi - filettatura UNI-ISO 228

Thread Filettatura A	ØB		ØC ^{+0,5} -1,0	ØD ^{+2,0} -0,5	ØE ^{+1,0} +0	ØF _{MAX}
	min	max				
G 1/8" (9,7)	8,5	8,75	14	10	17	10
G 1/4" (13,1)	11,5	11,75	16	12	22	13,4
G 3/8" (16,6)	15	15,25	17	12,5	25	16,9
G 1/2" (20,9)	18,8	19,1	20	15	29	21,2
G 3/4" (26,4)	24,3	24,6	22	17	36	26,7
G 1" (33,2)	30,3	30,6	28	21	46	33,6
G 1"1/4 (41,9)	39,2	39,7	30	23	55	42,3
G 1"1/2 (47,8)	45	45,6	32	25	64	48,2
G 2" (56,6)	57	57,5	36	28	75	60



PRODUCT PRESENTATION

The sub-plates represented in the following catalogue have fixing holes in compliance with DIN 24340 standards, with sizes NG6 - NG10 - NG16 - NG25.

The products are made of cast iron GG25, according to UNI EN 16482 standard. The O-ring seals fitted on the plates and valve are made of nitrilic - NBR - 70 Shore mix.

All products are supplied with manganese phosphate coat according to UNI ISO 9717 norm.

In the case of sub-plates fitted with seat for pressure reducing valve, the "Z" version is to be considered only for predisposition of same and is therefore supplied with ETV.. plug.

In the case of plates with 2/2 electric cartridge seat, the "K" version is to be considered only for the predisposition of same and is therefore supplied without ETVEI plug.

Valve coupling flat surface finish Ra 0.8 microns.

All the plates have been checked in relation to directive 97/23 (PED), and are not subject to CE marking (article 3, paragraph 3).

Sub plates are made of material and with thread suitable for cylindrical fitting. The product is not granted for assembling with conical fittings.