

Additional Date/Spec Sheet

Cetop 5 NG10 EM205/5Y Parallel Manifold Monoblock – Without Relief Valve

Monoblock with side ports A-B = 1/2"G and P-T = 3/4"G, with/without pressure relief valve.(RV)
 Monoblock, seitl. Anschl. A-B = 1/2"G und P-T = 3/4"G, mit/ohne Druckbegrenzungsventil (DBV).

N°2 ∅6.5

M10x15

N° Staz.	H	K	(Kg)
1Y	100	84	6
1Z	140	124	9
2	175	159	11
3	250	234	16
4	325	309	21
5	400	384	26
6	475	459	31
7	550	534	36
8	625	609	41

Symbol
parallel conn.
Parallel Schaltung

Ordering code
Bestell-Code **EM 20 5 / * * * F**

Monoblock = M

side parts = 20
seitl. Anschl.

CETOP 5

N. Elem. = 1-2-3-4-5-6
Anzahl Elemente

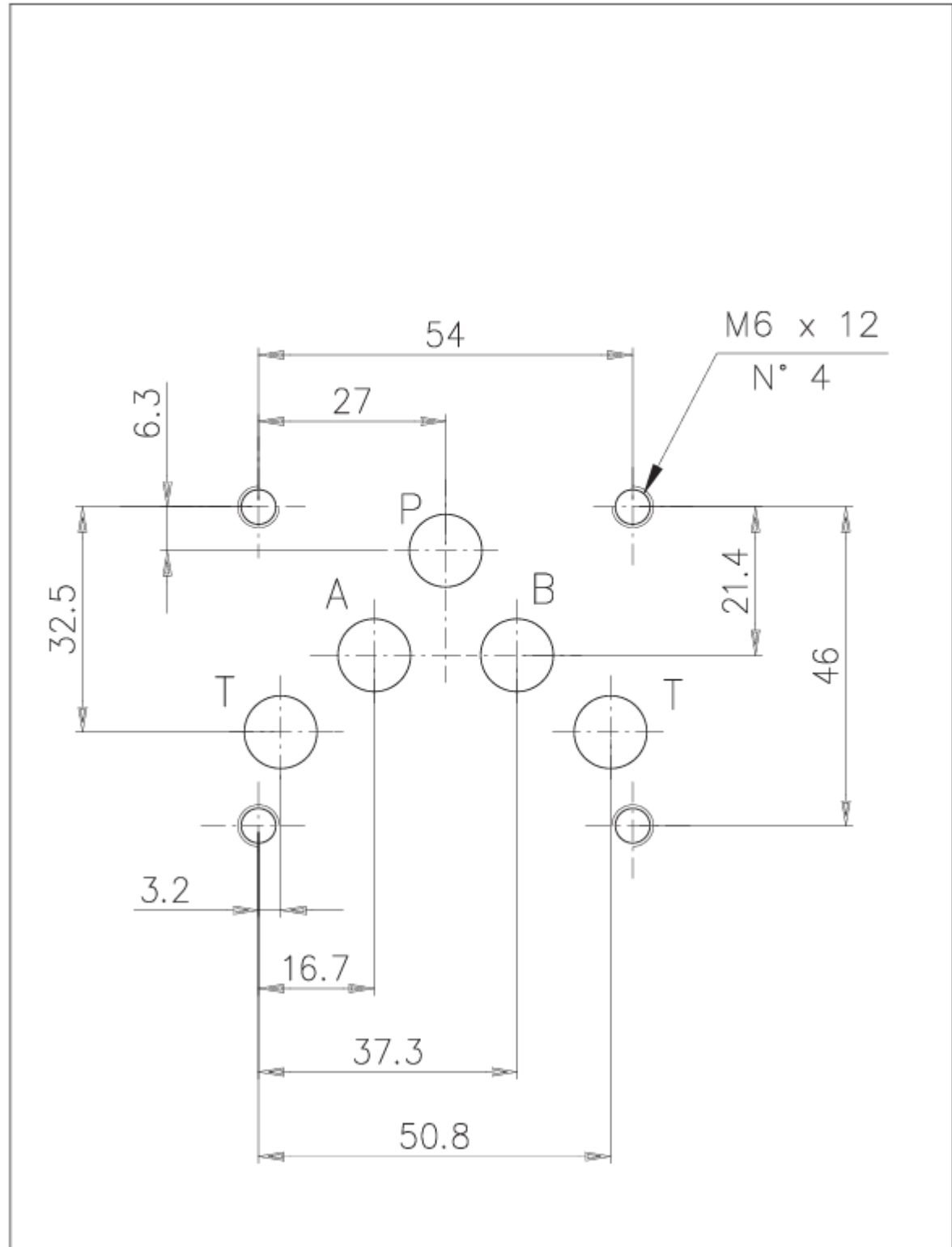
Setting/Einstellung
F = by key / Schlussverstellung

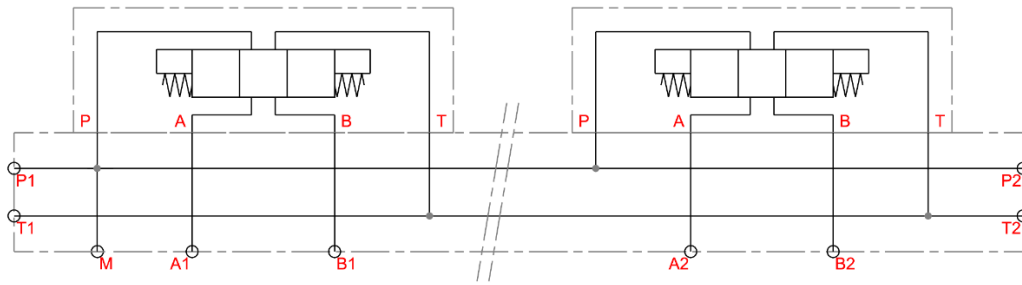
Spring type/Feder Typ
1 = 5-60 bar
2 = 35-120 bar
3 = 80-270 bar

Y = without RV seat
ohne DBV Bohrung
Z = prearranged for RV
mit DBV Bohrung
X = with RV included
einschliesslich DBV

NOTES : See page 51 for technical characteristics of RV / The RV version with handwheel is not available.
 BEMERKUNG : Siehe techn. Daten des DBV auf Seite 51 / Die DBV version mit Handrad ist nicht lieferbar.

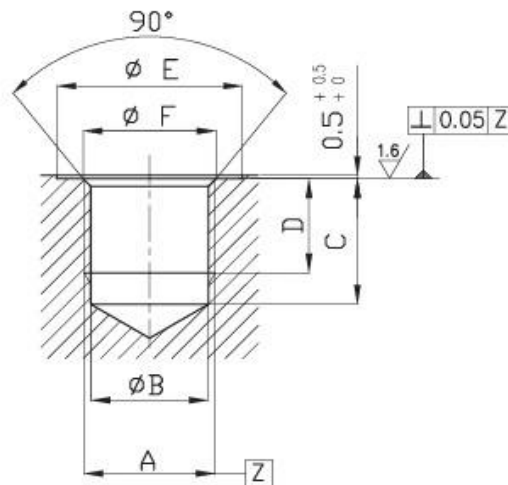
CETOP 5 - NG10





Ports dimensions – Threads UNI-ISO 228
 Anschlüsse Abmessungen – Gewinde UNI-ISO 228

Threads Gewinde A	∅B		∅C ^{+0.5} -1.0	∅D ^{+2.0} -0.5	∅E ^{+1.0} +0	∅F _{MAX}
	min	max				
G 1/8" (9.7)	8,5	8,75	14	10	17	10
G 1/4" (13.1)	11,5	11,75	16	12	22	13,4
G 3/8" (16.6)	15	15,25	17	12,5	25	16,9
G 1/2" (20.9)	18,8	19,1	20	15	29	21,2
G 3/4" (26.4)	24,3	24,6	22	17	36	26,7
G 1" (33.2)	30,3	30,6	28	21	46	33,6
G 1 1/4" (41.9)	39,2	39,7	30	23	55	42,3
G 1 1/2" (47.8)	45	45,6	32	25	64	48,2
G 2" (59.6)	57	57,5	36	28	75	60



The sub-plates represented in the following catalogue have fixing holes in compliance with DIN 24340 standards, with sizes NG6 - NG10 - NG16 - NG25.

The products are made of cast iron GG25, according to UNI EN 1561 standard. The O-ring seals fitted on the plates and valve are made of nitrilic - NBR - 70 Shore mix.

The manifolds series EM..., the sub-plates series ES...(NG16-NG25) and the plates series ET... are protected externally with a coat of water bicomponent polyurethane enamel in a shining black colour type RAL 9005.

All the other series are supplied with manganese phosphate coat according to UNI ISO 9717 norm.

In the case of sub-plates fitted with seat for pressure reducing valve, the "Z" version is to be considered only for predisposition of same and is therefore supplied with ETV.. plug.

In the case of plates with 2/2 electric cartridge seat, the "K" version is to be considered only for the predisposition of same and is therefore supplied without ETVEI plug.

Valve coupling flat surface finish Ra 0.8 microns.

All the plates have been checked in relation to directive 97/23 (PED), and are not subject to CE marking (article 3, paragraph 3).

Sub plates are made of material and with thread suitable for cylindrical fitting. The product is not granted for assembling with conical fittings.