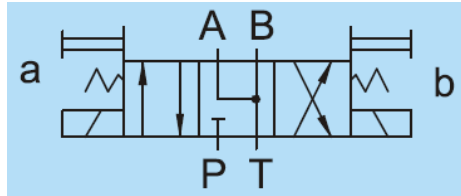


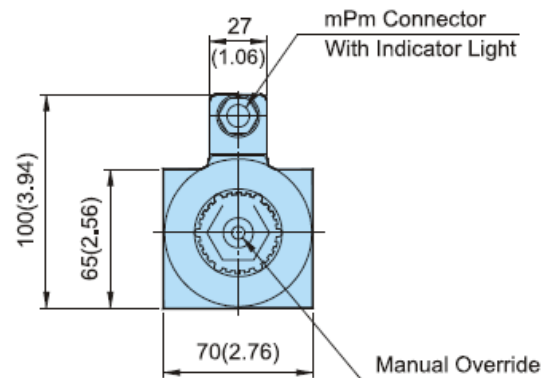
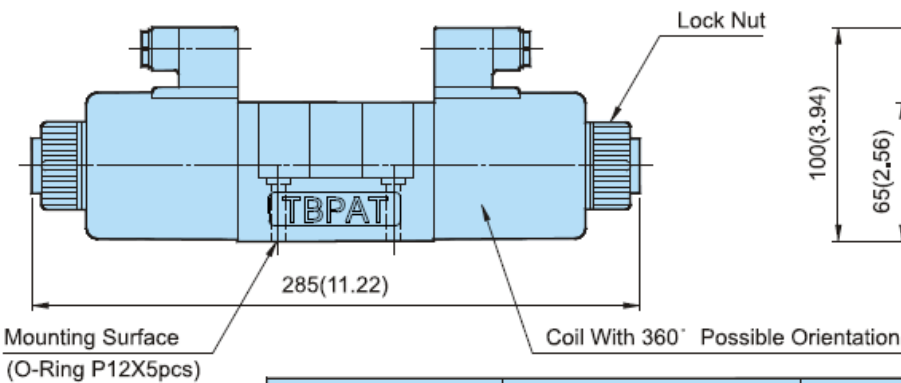
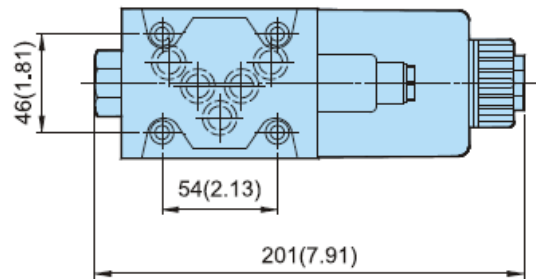
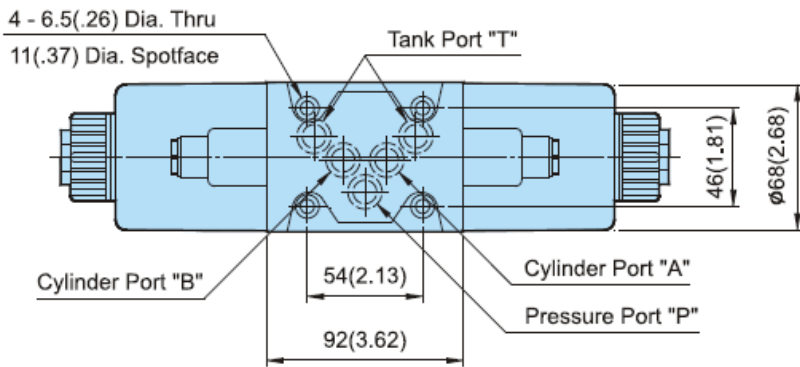
### Additional Date/Spec Sheet

NG10 Double Solenoid Operated Directional Control Valve – DC – Spring Centered 3 Position  
 Energized Side A: P→A, B→T | Center/Neutral: A & B Open to T, P Blocked | Energized Side B: A→T, P→B



**DSG-N-03-DC/RAC**

**MOUNTING SURFACE: DSG-03-CETOP5  
 ISO 05-NFPAD05**



Attachment Name	Description	Tightening Torque	Code
Soc. Hd. Cap Screw	M6 X35LgX4pcs	12-15 Nm	30
Soc. Hd. Cap Screw	1/4-20UNCX1-1/2"LgX4pcs	105-130 in.lbs	3090

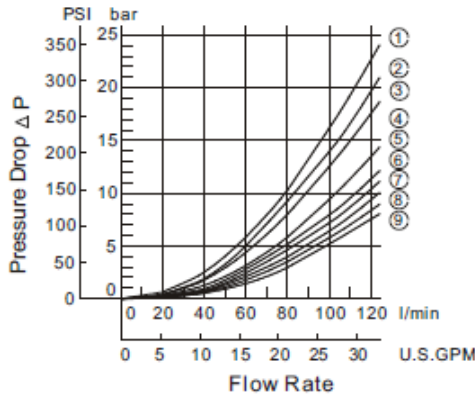
**VALVES RESPONSE CAPACITY**

Model	Working Direction	Spring Centered Type (3C*)	Unit : Times/Second	
			No Spring Type (2D*)	Spring Offset Type (2B*)
DSG-03-DC/RAC	Energization Spring back	0.030~0.090	0.030~0.090	0.030~0.050
		0.020~0.050	-----	0.020~0.040

Above response time test condition for DSG-03 is based on 140Bar/2000Psi, 45Lpm/11.9Usgpm

## PRESSURE DROP:

### DSG-03



Series	Spool Type	Pressure Drop Curve Number				
		P→A	B→T	P→B	A→T	P→T
DSG-03	3C2	⑦	⑦	⑦	⑦	—
	3C3	⑨	⑨	⑨	⑨	⑤
	3C4	⑦	⑧	⑦	⑧	—
	3C40	⑦	⑦	⑦	⑦	—
	3C60	⑥	⑤	⑥	⑤	①
	3C9	⑨	⑦	⑨	⑦	—
	3C10	⑦	⑧	⑦	⑦	—
	3C12	⑦	⑦	⑦	⑧	—
	2D2	④	③	⑥	⑥	—
	2B2	②	①	⑦	⑦	—
	2B3	③	②	⑨	⑨	—
	2B8	⑥	—	⑤	—	—

Graphs based on fluid viscosity of 35 cSt(162 SSU)

#### FLOW LIMITATIONS :

Pressure drop is influenced by forces acting within the valve. The graphs shown assume simultaneous equal flow rates P to A or B, and from A or B to T.

Care should be taken in applications where high flow rates are used in conjunction with high pressure. i.e. greater than 250 bar(3600PSI). Also when single flow paths, or substantially different simultaneous flow rates are required between P to A or B, and A or B to T.

No. of Valve Positions	Spool -Spring Arrangement	Model Numbers & Description	Graphic Symbols	Max. Flow lpm (USgpm)								
							P → A [Port "B" Blocked]			P → B [Port "A" Blocked]		
				80bar (1140PSI)	190bar (2715PSI)	315bar (4500PSI)	80bar (1140PSI)	190bar (2715PSI)	315bar (4500PSI)	80bar (1140PSI)	190bar (2715PSI)	315bar (4500PSI)
3 Position Spring Centred		DSG-3C4-03 Closed Center P Only		120(31.7)	120(31.7)	120(31.7)	120(31.7)	120(31.7)	64(16.9) 53(14)	120(31.7)	120(31.7)	64(16.9) 53(14)

### SOLENOID SPECIFICATIONS

AC/DC CURRENT		DC			
		RECTIFIED INSIDE		DC12	DC24
VOLTAGE (V)	FREQUENCY (Hz)	R110V	R220V		
DSG (03) 3/8"	Starting current (A)	-	-	-	-
	Holding current (A)	0.48	0.24	3.16	1.57
	Holding electrical power (W)	38	38	38	38
Permissible voltage		95~120	200~235	11.0~13.2	22~26.4