

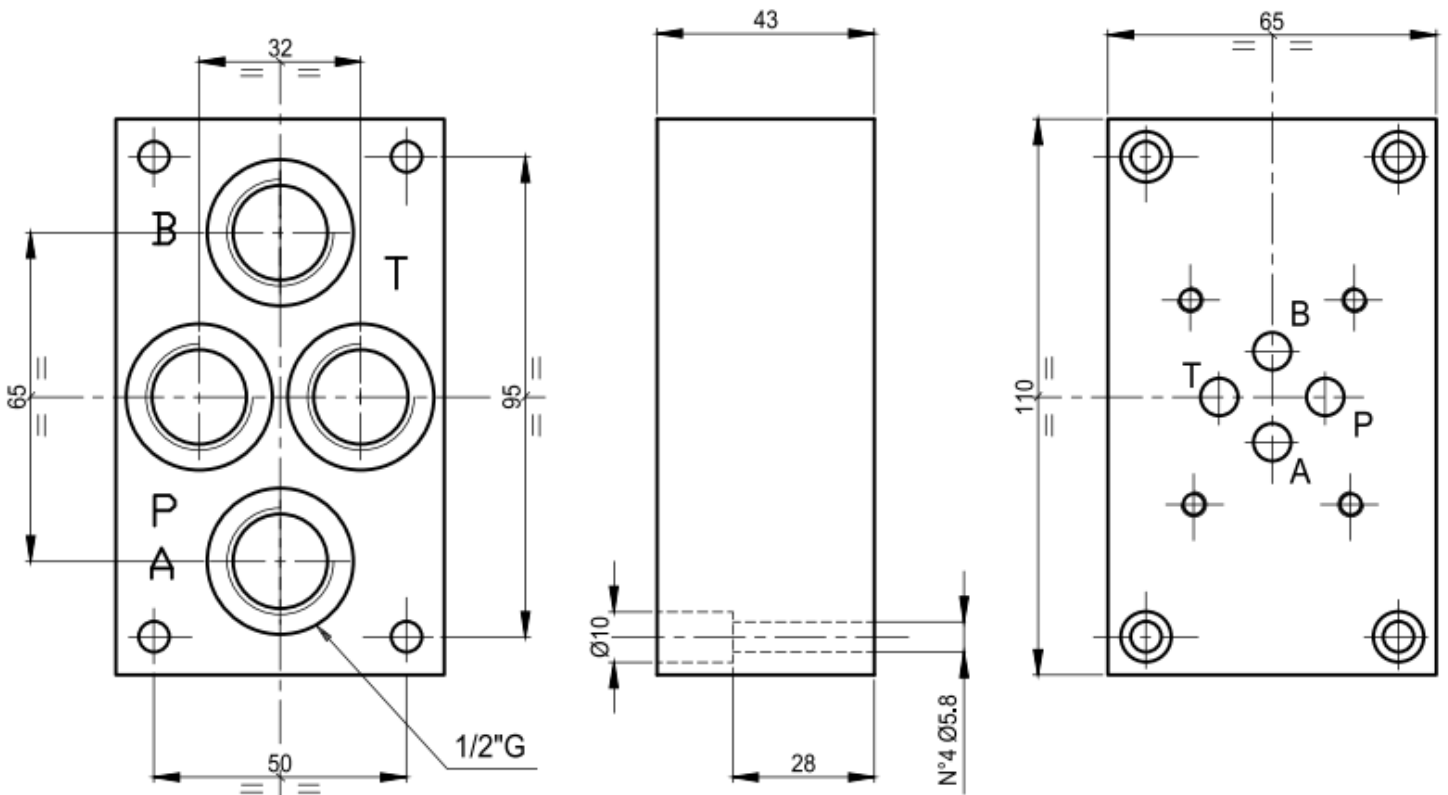
Additional Data/Spec Sheet

NG6 Rear Ports Subplate G08

SUBPLATE

TYPE ES3D12P AND ES3D...PL

Subplate with A-B-P-T on rear 1/2"G. Weight 1.8 kg



hydr. symbol
schema idraulico

