

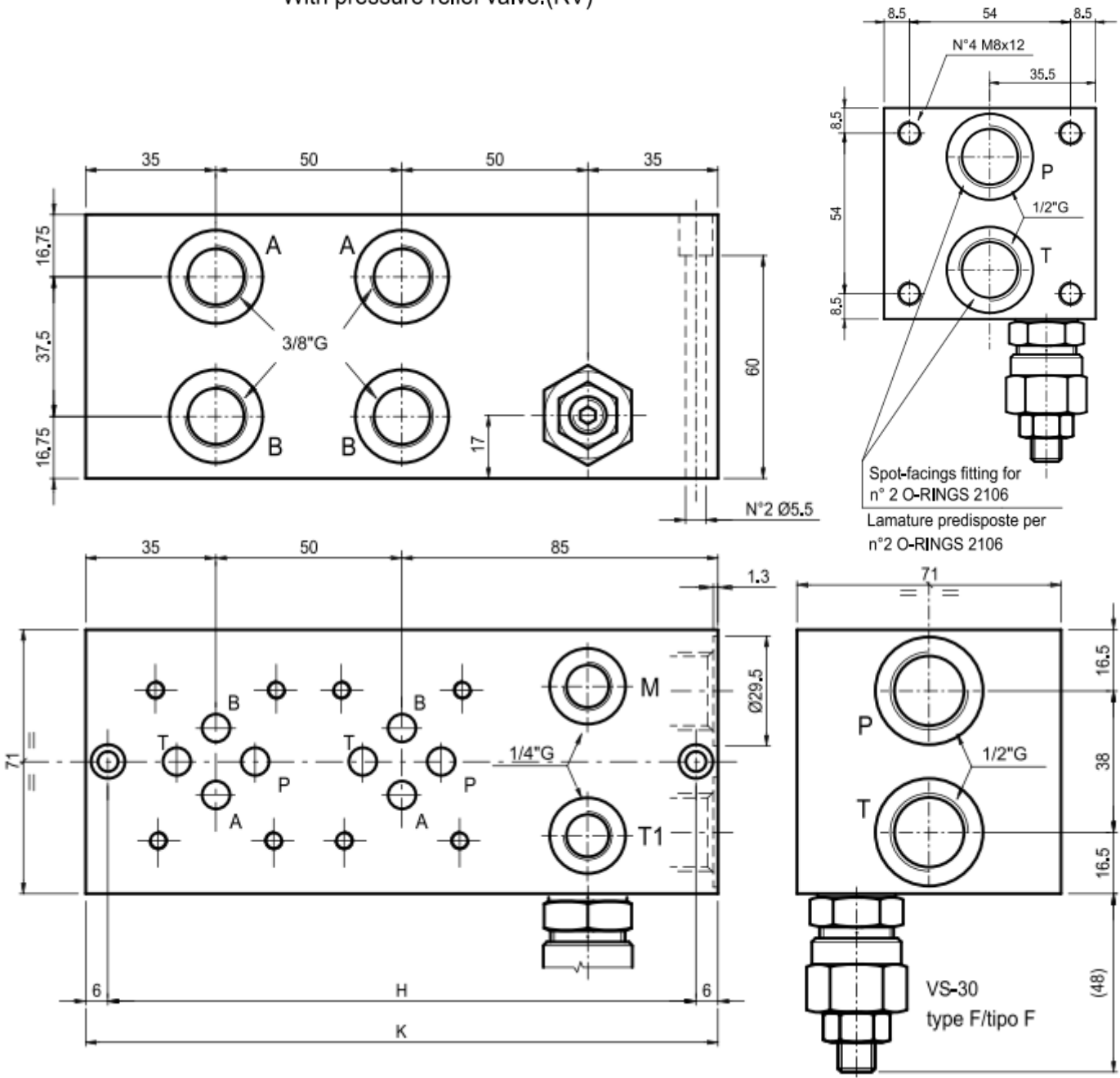
Additional Data/Spec Sheet

NG6 Monoblock Parallel Manifold with Relief

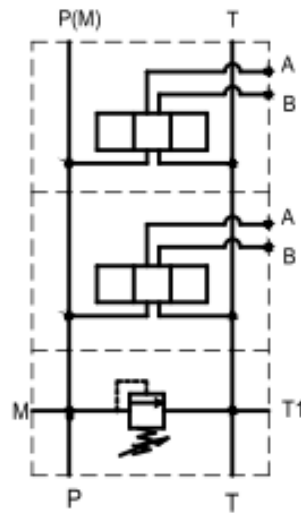
MONOBLOCK

TYPE EM...213/...F (prearrang. for modular system)

Monoblock with ports A-B = 3/8"G on the side, and P-T = 1/2"G.
With pressure relief valve.(RV)



Hydraulic symbol
parallel connection
Schema idraulico
in parallelo



NOTES (*) : The series version is standard from 2 up to 4 station.