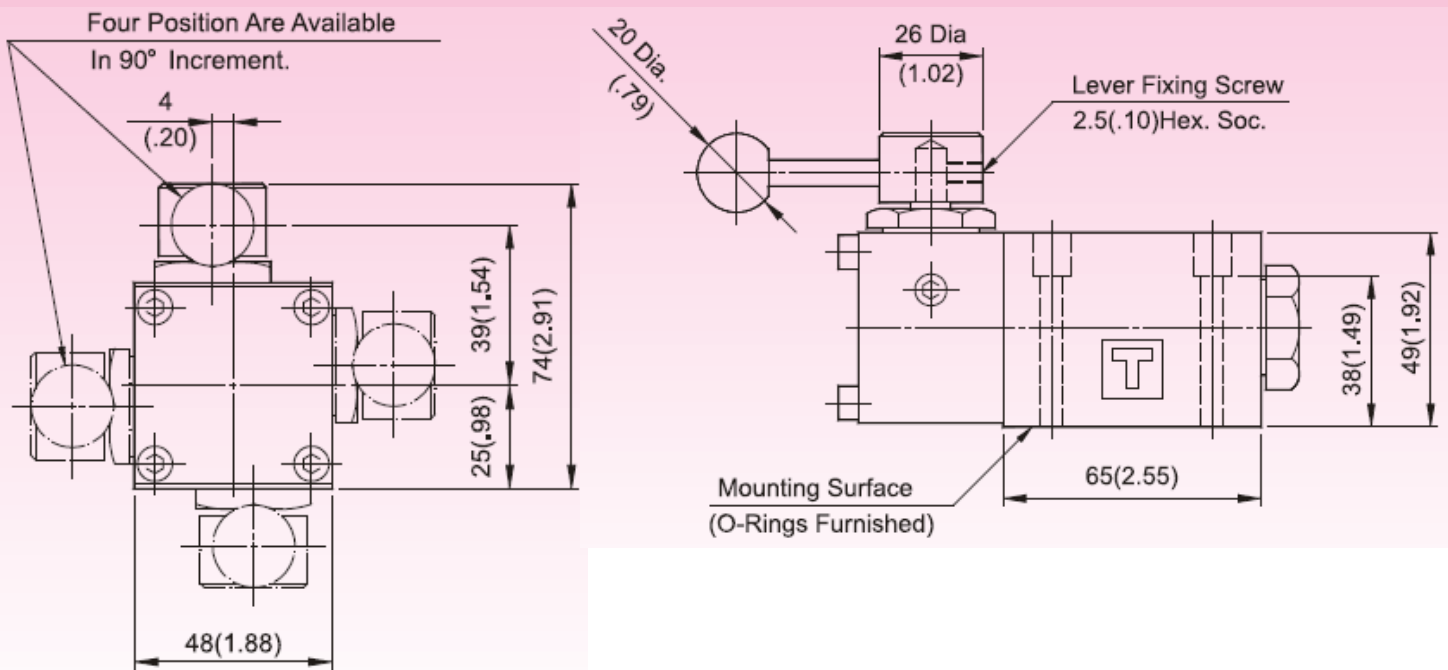
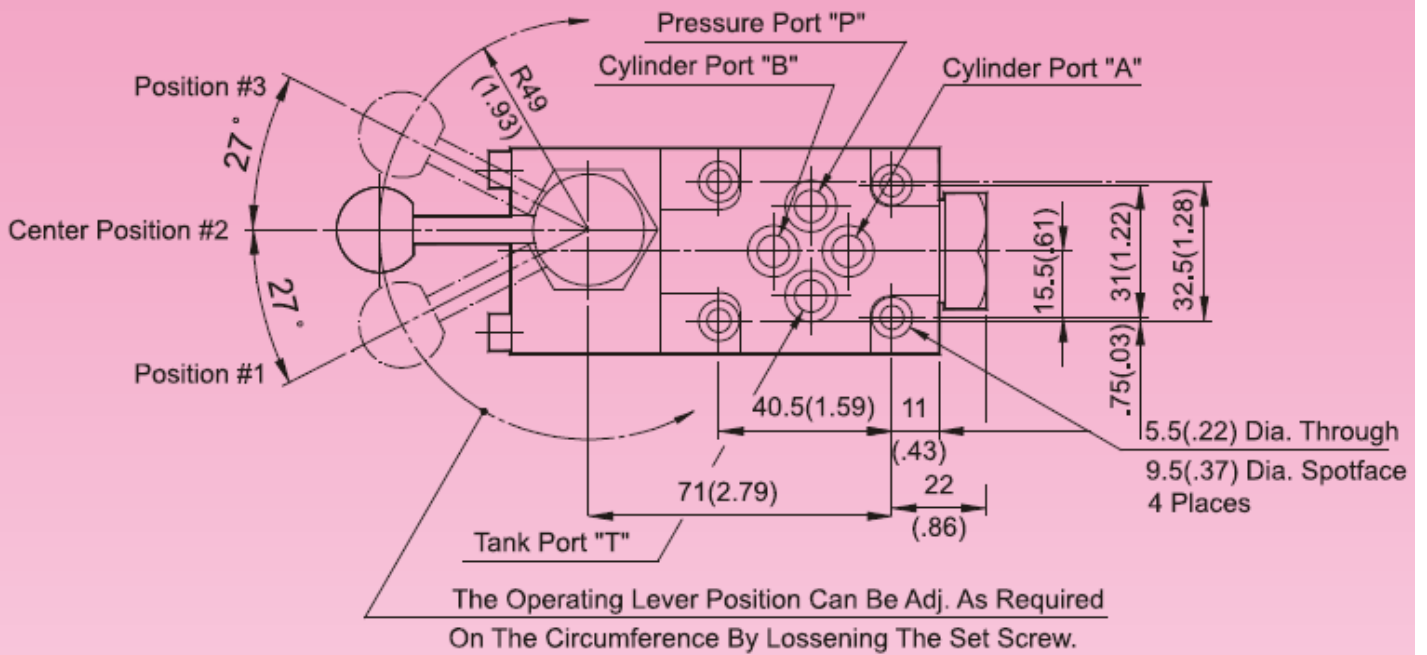


Additional Date/Spec Sheet

Manually Operated Directional Valve - Detented - 3 Position - All Ports Open

DMG-01-30

Manually Operated Directional Valves(Sub-Plate Type)



■ Valve Specifications & Attachment

Model	DMG-01
Flow Rating	63 lpm (16.6 gpm)
Max. Pressure	315 bar (4500 psi)
Weight kg(lbs.)	1.4 (3.1)
CODE:20	M5 X45LgX4pcs
CODE:2090	10-24UNCX1/3/4"LgX4pcs
Surface O-Ring	P9X4pc

NO SPRING DETENTED 3 POSITION	GRAPHIC SYMBOLS (STANDARD)
3D3	