

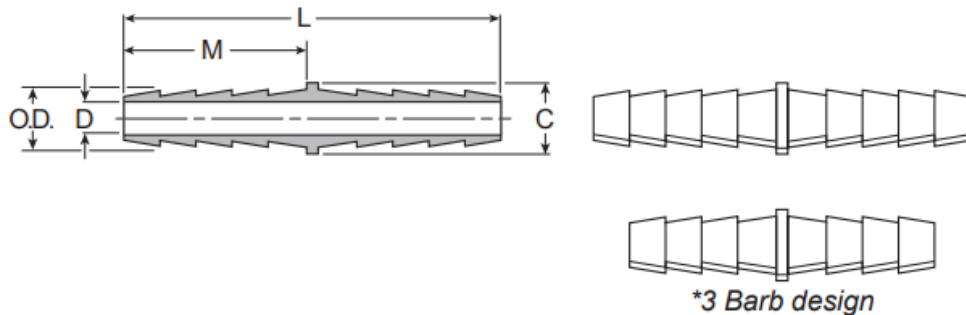
Additional Specs / Data Sheet

LP Brass Adapters – Barb Hose Mender

122HBL Hose Mender



Part Number	ID Hose Size
122HB-3	3/16
122HBL-4	1/4
122HBL-5	5/16
122HBL-6	3/8
122HBL-8	1/2
122HBL-12	3/4



Part No.	I.D. Hose Size	C Dia.	L	M	O.D.	Flow Dia. D
122HB-3*	3/16	5/16	1.44	0.69	0.227	0.125
122HBL-4	1/4	3/8	2.00	0.97	0.290	0.187
122HBL-5	5/16	7/16	2.00	0.97	0.353	0.250
122HBL-6	3/8	1/2	2.00	0.97	0.415	0.281
122HBL-8	1/2	5/8	2.00	0.97	0.530	0.375
122HBL-12	3/4	7/8	2.00	0.97	0.7.90	0.562

*3 Barb design.

Series Name	Brass Hose Barb Fittings
Series Code	Hose Barb Fittings
Division ID	687547
Division Name	Fluid System Connectors Division
Company	Parker Hannifin