

### Additional Data/Spec Sheet

LP Brass Adapter Fittings – NPT Female x NPT Female 90° Elbow

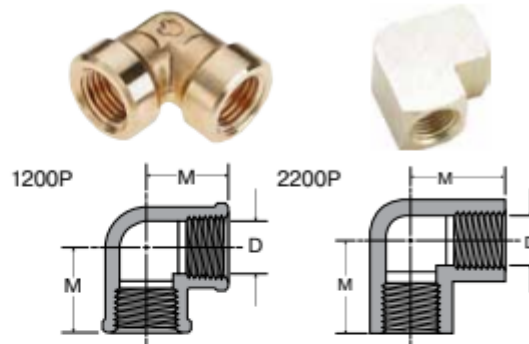
## 1200P-2200P

90° Union Elbow

Part Number	Pipe Thread
1200P-2-2	1/8
2200P-2-2	1/8
1200P-4-4	1/4
2200P-4-4	1/4
1200P-6-6	3/8
2200P-6-6	3/8
2200P-8-8	1/2

1200P

2200P



90° Union Elbow  
1200P-2200P

PART NO.	PIPE THREAD	M	FLOW DIA. D
1200P-2-2	1/8	.56	.329
1200P-4-4	1/4	.81	.441
1200P-6-6	3/8	.84	.571
2200P-8-8	1/2	1.07	.703

## **Assembly Instructions**

### **Elbow or Tee Fittings**

- 1.** Hand tighten external thread into internal thread
- 2.** Tighten an additional 1 to 1 1/2 turns with a wrench
- 3.** Tighten fitting, clockwise to align with tubing. (Never counter clockwise)

Note: To minimize the possibility of a leaking threaded joint after assembling Male to female pipe threads, neither end should be backed out (loosened) Once the assembly has been made.