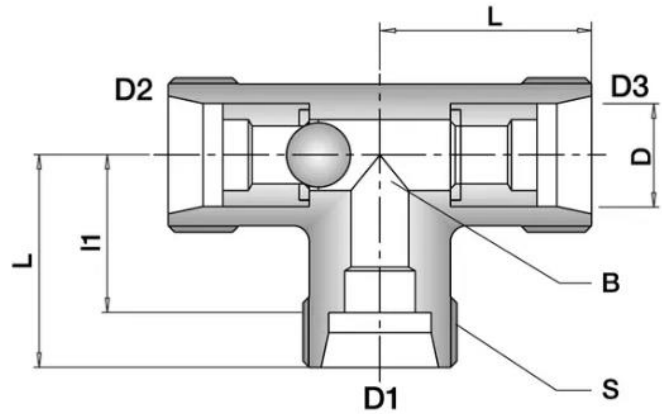
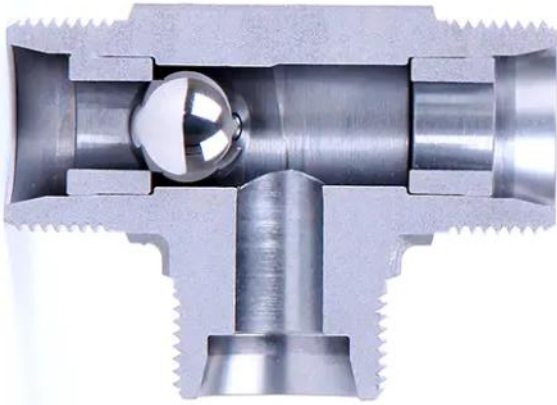


## Spec / Additional Data Sheet

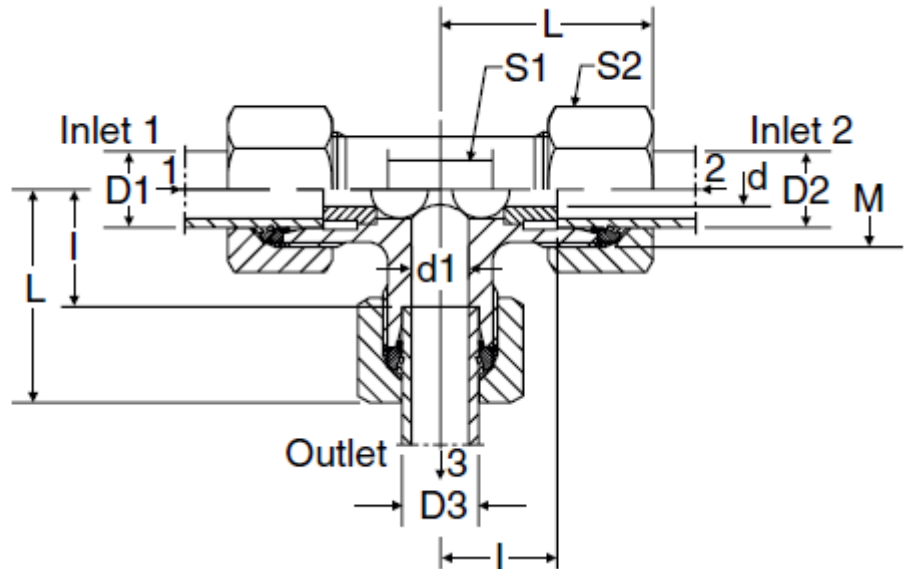
WV - 3way Male Shuttle Valve Tee



Flow direction: D2 -> D1, D3 closed; D3 -> D1, D2 closed.

## WV

Alternating Valve  
24° Flareless



TUBE FITTING PART #	END SIZE	M Metric	d (mm)	d1 (mm)	l (mm)	L (mm)	S1 (mm)	S2 (mm)
	1 - 3 (mm)							
WV08L	8	M14 x 1.5	4.5	4.5	14	29	14	17
WV10L	10	M16 x 1.5	6.0	6.0	15	30	17	19
WV12L	12	M18 x 1.5	7.5	7.5	17	32	19	22
WV15L	15	M22 x 1.5	10.0	10.0	21	36	19	27