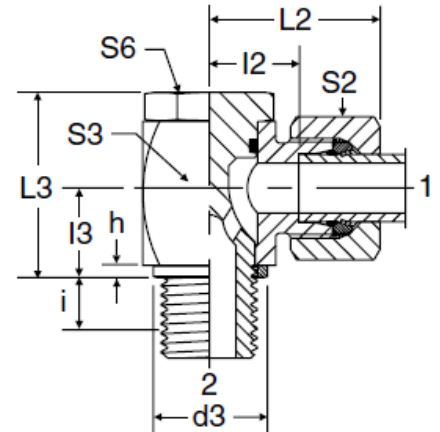


Spec/Additional Data Sheet

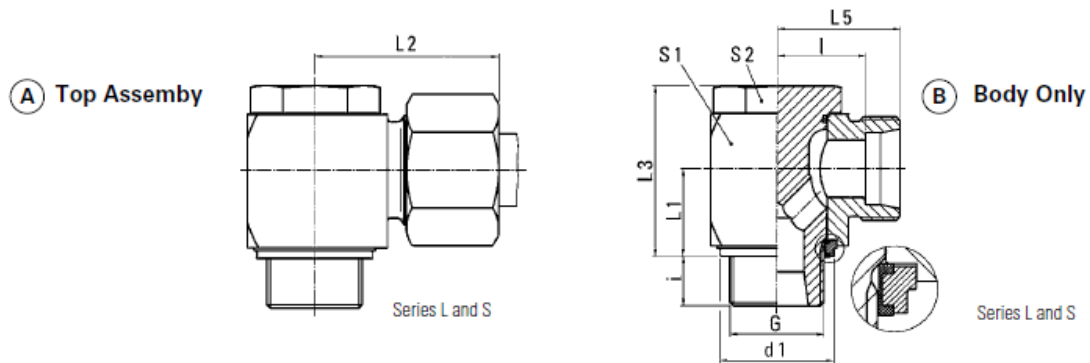
WH-R Metric High Pressure Banjo 90° Elbow

WH-R

High Pressure Banjo Elbow
24° Flareless / BSPP



TUBE FITTING PART #	END SIZE		TORQUE N-m	d3 (mm)	h (mm)	i (mm)	I2 (mm)	I3 (mm)	L2 (mm)	L3 (mm)	S2 (mm)	S3 (mm)	S6 (mm)	O-Ring I.D. & Cross Section (mm)
	1 (mm)	2 BSPP												
WH06LR	6	G 1/8 A	20	14	2.5	8	12.0	10.5	27	24	14	17	17	9.3 x 1.5
WH08LR	8	G 1/4 A	50	18	3.0	12	14.5	14.0	29	30	17	22	19	12.5 x 1.5
WH10LR	10	G 1/4 A	50	18	3.0	12	15.5	14.0	30	30	19	22	19	12.5 x 1.5
WH12LR	12	G 3/8 A	75	22	3.0	12	18.0	16.5	33	36	22	27	24	16 x 1.5
WH15LR	15	G 1/2 A	130	26	4.5	14	21.5	21.5	37	45	27	32	30	20 x 1.5
WH18LR	18	G 1/2 A	130	26	4.5	14	21.0	21.5	37	45	32	32	30	20 x 1.5
WH22LR	22	G 3/4 A	250	32	3.5	16	27.5	24.0	44	53	36	41	36	25 x 2
WH28LR	28	G 1 A	350	39	3.5	18	32.0	30.5	49	66	41	50	46	33 x 2.5
WH35LR	35	G 1 1/4 A	600	57	3.5	20	36.0	35.5	58	76	50	60	55	41 x 2.5
WH42LR	42	G 1 1/2 A	800	55	3.5	22	40.5	40.5	63	87	60	70	60	46 x 3
WH06SR	6	G 1/4 A	50	18	3.0	12	16.5	14.0	31	30	17	22	19	12.5 x 1.5
WH08SR	8	G 1/4 A	50	18	3.0	12	16.5	14.0	31	30	19	22	19	12.5 x 1.5
WH10SR	10	G 3/8 A	75	22	3.0	12	18.5	16.5	35	36	22	27	24	16 x 1.5
WH12SR	12	G 3/8 A	75	22	3.0	12	18.5	16.5	35	36	24	27	24	16 x 1.5
WH14SR	14	G 1/2 A	130	26	4.5	14	22.5	21.5	40	45	27	32	30	20 x 1.5
WH16SR	16	G 1/2 A	130	26	4.5	14	22.0	21.5	40	45	30	32	30	20 x 1.5
WH20SR	20	G 3/4 A	250	32	3.5	16	26.5	24.0	48	53	36	41	36	25 x 2
WH25SR	25	G 1 A	350	39	3.5	18	31.5	30.5	56	66	46	50	46	33 x 2.5
WH30SR	30	G 1 1/4 A	600	49	3.5	20	37.0	34.5	64	76	50	60	55	41 x 2.5
WH38SR	38	G 1 1/2 A	800	55	3.5	22	41.5	40.5	72	87	60	70	60	46 x 3



Series	Bar (psi)	Tube O.D.	DIN-ISO 228 (R.....DIN 259) G	(A) Part Number	(B) Part Number	L1	L2	L3	L5	I	i	d1 max	d2	S1	S2
LL*	100	4	G 1/8 A	WAL607000	WAL606661	10,0	25,5	21,0	20,0	16,0	8		14,5	14	14
	(1450)	6	G 1/8 A	WAL607001	WAL606662	10,0	26,0	21,0	20,0	14,5	8		14,5	14	14
		8	G 1/8 A	WAL607002	WAL606663	10,0	26,0	21,0	20,0	16,0	8		14,5	14	14
L	500 (7252)	6	G 1/8 A	WAL607051	WAL606364	10,0	27,5	21,0	20,0	13,0	8	14,9	13,0	14	14
		6	G 1/4 A	WAL606501	WAL606365	13,5	29,5	27,0	22,0	15,0	10	18,9	17,8	19	19
		8	G 1/4 A	WAL607052	WAL606366	13,5	28,5	27,0	21,0	14,0	10	18,9	17,8	19	19
		10	G 1/4 A	WAL607053	WAL606367	13,5	29,5	27,0	22,0	15,0	10	18,9	17,8	19	19
	400 (5801)	12	G 1/4 A	WAL607054	WAL606368	15,5	29,5	30,0	22,0	15,0	10	18,9	17,8	22	19
		12	G 3/8 A	WAL607055	WAL606369	16,0	32,0	32,5	24,5	17,5	10	21,9	22,0	24	22
		15	G 1/2 A	WAL607056	WAL606370	19,5	36,0	43,0	28,0	21,0	14	26,9	26,0	30	27
		18	G 1/2 A	WAL607057	WAL606371	21,5	36,5	43,0	28,0	20,5	12	26,9	26,0	30	27
	250 (3626)	22	G 3/4 A	WAL607058	WAL606372	24,0	43,0	48,0	34,5	27,0	16	32,9	32,0	36	32
		28	G 1 A	WAL607059	WAL606373	30,5	48,0	59,0	39,0	31,5	18	39,9	39,0	46	41
		35	G 1 1/4 A	WAL607060*	WAL606374*	35,5	57,0	70,0	46,0	35,5	20	49,9	49,0	55	50
		42	G 1 1/2 A	WAL607061*	WAL606375*	40,5	62,5	80,0	51,0	40,0	22	55,9	55,0	65	55
	500 (7252)	6	G 1/4 A	WAL607062	WAL606376	13,5	30,5	27,0	23,0	16,0	10	18,9	17,8	19	19
		8	G 1/4 A	WAL607063	WAL606377	13,5	30,5	27,0	23,0	16,0	10	18,9	17,8	19	19
		10	G 3/8 A	WAL607064	WAL606378	16,0	34,0	32,5	25,5	18,0	10	21,9	22,0	24	22
	400 (5801)	12	G 3/8 A	WAL607065	WAL606379	16,0	34,0	32,5	25,5	18,0	10	21,9	22,0	24	22
		14	G 1/2 A	WAL607066*	WAL606380*	19,5	39,5	41,0	30,0	22,0	12	26,9	26,0	30	27
		16	G 1/2 A	WAL607067	WAL606381	21,5	39,5	43,0	30,0	21,5	12	26,9	26,0	30	27
	315 (4569)	20	G 3/4 A	WAL607068	WAL606382	24,0	47,5	48,0	36,5	26,0	16	32,9	32,0	36	32
	250 (3626)	25	G 1 A	WAL607069	WAL606383	30,5	55,0	59,0	43,0	31,0	18	39,9	39,0	46	41
		30	G 1 1/4 A	WAL607070	WAL606384	35,5	63,0	70,0	50,0	36,5	20	49,9	49,0	55	50
38		G 1 1/2 A	WAL607071	WAL606385	40,5	71,5	80,0	57,0	41,0	22	55,9	55,0	65	55	

L₂ = approximate length with nut tightened

* = LL Series utilizes a metal port seal.