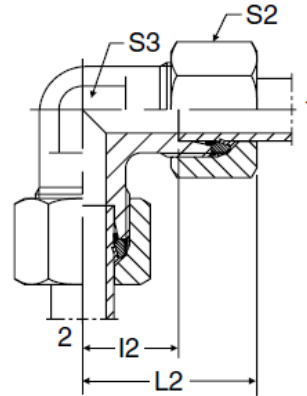


Spec/Additional Data Sheet

W- Metric 90° Elbow Union

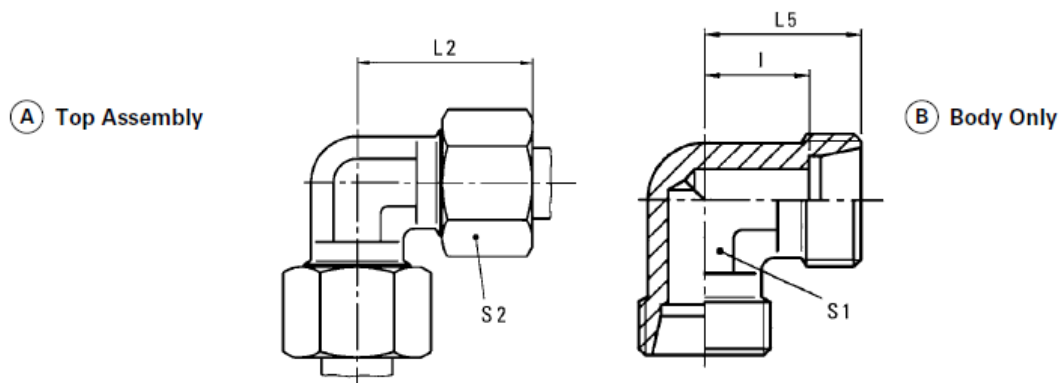
W

Elbow Union
24° Flareless / 24° Flareless



TUBE FITTING PART #	END SIZE		L2 (mm)	S2 (mm)	S3 (mm)	S3 (only Stainless Steel) (mm)
	1 & 2 (mm)	I 2 (mm)				
* W04LL	4	11	21	10	9	9
* W06LL	6	10	21	12	11	9
* W08LL	8	12	23	14	12	12
* W10LL	10	13	24	17	14	12
* W12LL	12	13	25	19	17	14
* W06L	6	12	27	14	12	12
* W08L	8	14	29	17	14	12
* W10L	10	15	30	19	17	14
* W12L	12	17	32	22	19	17
W15L	15	21	36	27	19	19
W18L	18	24	40	32	24	24
W22L	22	28	44	36	27	27
W28L	28	31	47	41	36	36
W35L	35	35	56	50	41	41
W42L	42	40	63	60	50	50
* W06S	6	16	31	17	14	12
* W08S	8	17	32	19	17	14
* W10S	10	18	34	22	19	17
* W12S	12	22	38	24	22	17
W14S	14	22	40	27	19	19
W16S	16	25	43	30	24	24
W20S	20	27	48	36	27	27
W25S	25	30	54	46	36	36
W30S	30	36	62	50	41	41
W38S	38	41	72	60	50	50

90° Union connector 24°/24°



Series	Bar (psi)	Tube O.D.	(A) Part Number	(B) Part Number	L ₂	L ₅	I	S ₁	S ₂
LL	100 (1450)	4	WAL038576†	WAL037863†	21	15	11,0	9	10
		6	WAL038578	WAL037865	21	15	9,5	9	12
		8	WAL038579†	WAL037866†	23	17	11,5	12	14
L	500 (7252)	6	WAL373385†	WAL037867†	27	19	12,0	12	14
		8	WAL373386	WAL037868	29	21	14,0	12	17
		10	WAL373387†	WAL037869†	30	22	15,0	14	19
	400 (5801)	12	WAL373388	WAL037870	32	24	17,0	17	22
		15	WAL373389	WAL037871	36	28	21,0	19	27
		18	WAL373390	WAL037872	40	31	23,5	24	32
	250 (3626)	22	WAL373391	WAL037873	44	35	27,5	27	36
		28	WAL373392	WAL037874	47	38	30,5	36	41
		35	WAL373393	WAL037875	56	45	34,5	41	50
		42	WAL373394	WAL037876	63	51	40,0	50	60
S	800 (11603)	6	WAL373395	WAL037877	31	23	16,0	12	17
		8	WAL373396	WAL037878	32	24	17,0	14	19
		10	WAL373397	WAL037879	34	25	17,5	17	22
	630 (9137)	12	WAL373398	WAL037880	38	29	21,5	17	24
		16	WAL373400	WAL037882	43	33	24,5	24	30
	420 (6091)	20	WAL373401	WAL037883	48	37	26,5	27	36
		25	WAL373402	WAL037884	54	42	30,0	36	46
	400 (5801)	30	WAL373403	WAL037885	62	49	35,5	41	50
		38	WAL373404	WAL037886	72	57	41,0	50	60

L₂ = approximate length with nut tightened