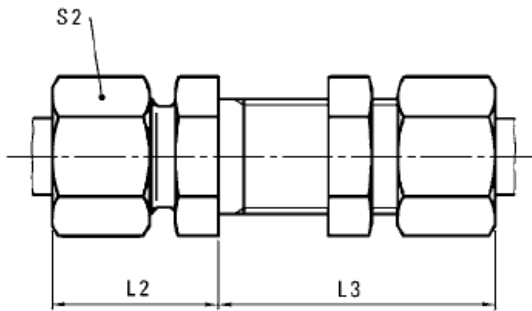


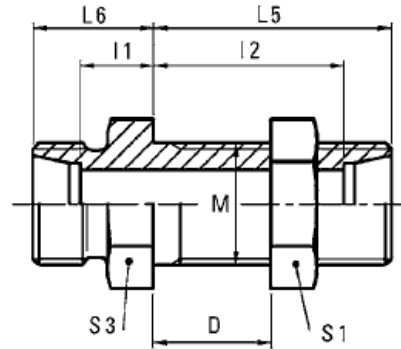
# Spec/Additional Data Sheet

## Metric Threaded Straight Bulkhead - SV

### (A) Top Assembly



### (B) Body Only



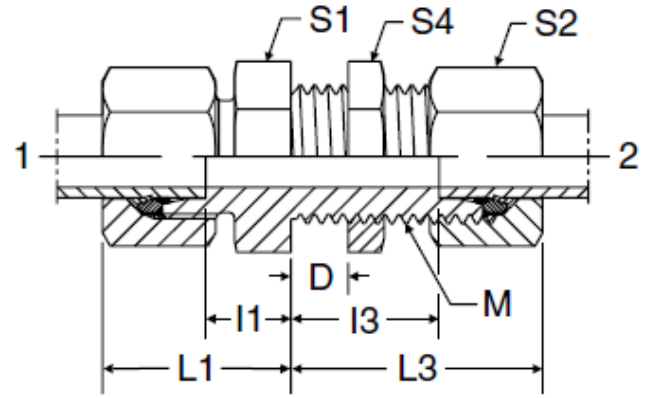
Series	Bar (psi)	Tube O.D.	M	D Min.	D Max.	(A)	(B)	L <sub>2</sub>	L <sub>3</sub>	L <sub>5</sub>	L <sub>6</sub>	I <sub>1</sub>	I <sub>2</sub>	S <sub>1</sub>	S <sub>2</sub>	S <sub>3</sub>
						Part Number	Part Number									
L	500 (7252)	6	M 12 x 1,5	4	16	WAL373451	WAL063273	22	42	34	14	7,0	27,0	17,0	14	17
		8	M 14 x 1,5	4	16	WAL373452	WAL024147	23	42	34	15	8,0	27,0	19,0	17	19
		10	M 16 x 1,5	4	16	WAL373453	WAL061656	25	43	35	17	10,0	28,0	22,0	19	22
	400 (5801)	12	M 18 x 1,5	4	16	WAL373454	WAL061657	25	44	36	17	10,0	29,0	24,0	22	24
		15	M 22 x 1,5	4	16	WAL373455	WAL061995	27	45	38	19	12,0	31,0	30,0	27	27
		18	M 26 x 1,5	4	16	WAL373456	WAL061658	30	49	40	21	13,5	32,5	36,0	32	32
	250 (3626)	22	M 30 x 2,0	5	16	WAL373457	WAL063759	33	51	42	24	16,5	34,5	41,0	36	36
		28	M 36 x 2,0	5	16	WAL373458	WAL063760	35	52	43	26	18,5	35,5	46,0	41	41
		35	M 45 x 2,0	5	16	WAL373459	WAL063761	40	58	47	29	18,5	36,5	55,0	50	50
		42	M 52 x 2,0	5	16	WAL373460	WAL063762	42	59	47	30	19,0	36,0	65,0	60	60
S	800 (11603)	6	M 14 x 1,5	4	16	WAL373461	WAL063763	27	44	36	19	12,0	29,0	19	17	19
		8	M 16 x 1,5	4	16	WAL373462	WAL063764	28	44	36	20	13,0	29,0	22	19	22
		10	M 18 x 1,5	4	16	WAL373463	WAL063765	31	46	37	22	14,5	29,5	24	22	24
	630 (9137)	12	M 20 x 1,5	4	16	WAL373464	WAL063766	31	47	38	22	14,5	30,5	27	24	27
		16	M 24 x 1,5	4	16	WAL373466	WAL063768	35	50	40	25	16,5	31,5	32	30	32
	400 (5801)	20	M 30 x 2,0	5	16	WAL373467	WAL063769	39	55	44	28	17,5	33,5	41	36	41
		25	M 36 x 2,0	5	16	WAL373468	WAL063770	44	59	47	32	20,0	35,0	46	46	46
		30	M 42 x 2,0	5	16	WAL373469	WAL063771	48	64	51	35	21,5	37,5	50	50	50
		38	M 52 x 2,0	5	16	WAL373470	WAL063772	53	68	53	38	22,0	37,0	65	60	65

L<sub>2</sub> and L<sub>3</sub> = approximate length with nut tightened

# SV

## Bulkhead Union

24° Flareless / 24° Flareless



D = 16mm, max. bulkhead thickness

TUBE FITTING PART #	END SIZE		M Metric Thread	I1 (mm)	I3 (mm)	L1 (mm)	L3 (mm)	S1 (mm)	S2 (mm)	S4 (mm)	STANDARD Pressure Rating (bar)				
	1 (mm)	2 (mm)									EO			EO-2	
											A3C	71	MS	A3C	71
SV06L	6	6	M12 x 1.5	7	27.0	22	42	17	14	17	315	315	205	315	315
SV08L	8	8	M14 x 1.5	8	27.0	23	42	19	17	19	315	315	205	315	315
SV10L	10	10	M16 x 1.5	10.0	28.0	25	43	22	19	22	315	315	205	315	315
SV12L	12	12	M18 x 1.5	10.0	29.0	25	44	24	22	24	315	315	205	315	315
SV15L	15	15	M22 x 1.5	12.0	31.0	27	46	27	27	30	315	315	205	315	315
SV18L	18	18	M26 x 1.5	13.5	32.5	30	49	32	32	36	315	315	205	315	315
SV22L	22	22	M30 x 2	16.5	34.5	33	51	36	36	41	160	160	104	160	160
SV28L	28	28	M36 x 2	18.5	35.5	35	52	41	41	46	160	160	104	160	160
SV35L	35	35	M45 x 2	18.5	36.5	40	58	50	50	55	160	160		160	160
SV42L	42	42	M52 x 2	19.0	36.0	42	59	60	60	65	160	160		160	160
SV06S	6	6	M14 x 1.5	12.0	29.0	27	44	19	17	19	630	630	410	630	630
SV08S	8	8	M16 x 1.5	13.0	29.0	28	44	22	19	22	630	630	410	630	630
SV10S	10	10	M18 x 1.5	14.5	29.5	31	46	24	22	24	630	630	410	630	630
SV12S	12	12	M20 x 1.5	14.5	30.5	31	47	27	24	27	630	630	410	630	630
SV14S	14	14	M22 x 1.5	17.0	32.0	35	50	30	27	30	630	630		630	630
SV16S	16	16	M24 x 1.5	16.5	31.5	35	50	32	30	32	400	400	260	400	400
SV20S	20	20	M30 x 2	17.5	33.5	39	55	41	36	41	400	400	260	400	400
SV25S	25	25	M36 x 2	20.0	35.0	44	59	46	46	46	400	400	260	400	400
SV30S	30	30	M42 x 2	21.5	37.5	48	64	50	50	50	400	400	260	400	400
SV38S	38	38	M52 x 2	22.0	37.0	53	68	65	60	65	315	315		315	315