

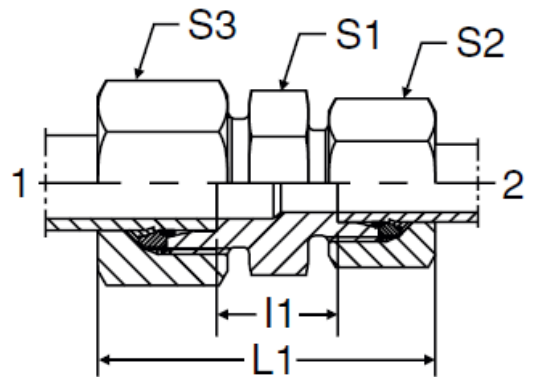
Spec / Additional Data Sheet

GR – Metric Reducing Tube Union

GR

Union Reducer

24° Flareless / 24° Flareless

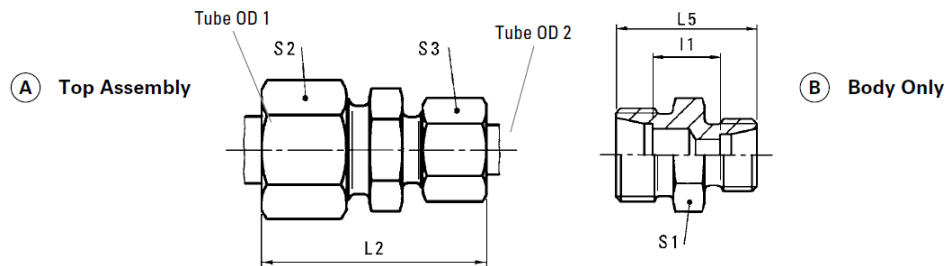


TUBE FITTING PART #	END SIZE		I1 (mm)	L1 (mm)	S1 (mm)	S2 (mm)	S3 (mm)	STANDARD Pressure Rating (bar)				
	1 (mm)	2 (mm)						EO			EO-2	
								A3C	71	MS	A3C	71
GR06/04LL	6	4	10.5	10.5	11	10	12	100	100		100	
GR08/04LL	8	4	12.5	12.5	12	10	14	100				
GR08/06LL	8	6	11.0	11.0	12	12	14	100	100			
GR08/06L	8	6	11.0	11.0	14	14	17	315	315	205	315	315
GR10/06L	10	6	12.0	12.0	17	14	19	315	315	205	315	315
GR10/08L	10	8	12.0	12.0	17	17	19	315	315	205	315	315
GR12/06L	12	6	13.0	13.0	19	14	22	315	315	205	315	315
GR12/08L	12	8	13.0	13.0	19	17	22	315	315	205	315	315
GR12/10L	12	10	14.0	14.0	19	19	22	315	315	205	315	315
GR15/10L	15	10	15.0	15.0	24	19	27	315	315		315	315
GR15/12L	15	12	15.0	15.0	24	22	27	315	315		315	315
GR18/10L	18	10	15.5	15.5	27	19	32	315	315		315	315
GR18/12L	18	12	15.5	15.5	27	22	32	315	315		315	315
GR18/15L	18	15	16.5	16.5	27	27	32	315	315		315	315
GR22/12L	22	12	17.5	17.5	32	22	36	160	160		160	160
GR22/15L	22	15	18.5	18.5	32	27	36	160	160		160	160
GR22/18L	22	18	18.0	18.0	32	32	36	160	160		160	160
GR28/18L	28	18	19.0	19.0	41	32	41	160	160		160	160
GR28/22L	28	22	21.0	21.0	41	36	41	160	160		160	160
GR35/22L	35	22	21.0	21.0	46	36	50	160	160		160	160
GR35/28L	35	28	21.0	21.0	46	41	50	160	160		160	160
GR08/06S	8	6	18.0	18.0	17	17	19	630	630		630	630
GR10/06S	10	6	17.5	17.5	19	17	22	630	630		630	630
GR10/08S	10	8	17.5	17.5	19	19	22	630	630		630	630
GR12/06S	12	6	19.5	19.5	22	17	24	630	630		630	630
GR12/08S	12	8	19.5	19.5	22	19	24	630	630		630	630
GR12/10S	12	10	19.0	19.0	22	22	24	630	630		630	630

TUBE FITTING PART #	END SIZE		I1 (mm)	L1 (mm)	S1 (mm)	S2 (mm)	S3 (mm)	STANDARD Pressure Rating (bar)				
	1 (mm)	2 (mm)						EO			EO-2	
								A3C	71	MS	A3C	71
GR14/10S	14	10	20.5	20.5	24	22	27	630	630		630	630
GR14/12S	14	12	20.5	20.5	24	24	27	630	630		630	630
GR16/12S	16	12	20.0	20.0	27	24	30	400	400		400	400
GR16/14S	16	14	21.5	21.5	27	27	30	400	400		400	400
GR20/10S	20	10	22.0	22.0	32	22	36	400	400		400	400
GR20/12S	20	12	22.0	22.0	32	24	36	400	400		400	400
GR20/16S	20	16	23.0	23.0	32	30	36	400	400		400	400
GR25/16S	25	16	25.5	25.5	41	30	46	400	400		400	400
GR25/20S	25	20	25.5	25.5	41	36	46	400	400		400	400
GR30/20S	30	20	26.0	26.0	46	36	50	400	400		400	400
GR30/25S	30	25	26.5	26.5	46	46	50	400	400		400	400
GR38/30S	38	30	29.5	29.5	55	50	60	315	315		315	315

Straight reducer connector

24°/24°



Series	Bar (psi)	Tube O.D. 1	Tube O.D. 2	(A) Part Number	(B) Part Number	L ₂	L ₅	I	i	S ₁	S ₂	
LL	100	6	4	WAL060065†	WAL060066†	32,5	20	10,5	11	12	10	
	(1450)	8	4	WAL024214†	WAL025120†	34,0	22	12,5	12	14	10	
L	500	8	6	WAL374530	WAL029475	40,0	25	11,0	14	17	14	
		(7252)	10	6	WAL374531	WAL029476	41,0	26	12,0	17	19	14
		10	8	WAL602920	WAL029477	41,0	26	12,0	17	19	17	
	400	12	6	WAL602654	WAL063441	42,0	27	13,0	19	22	14	
		(5801)	12	8	WAL374532	WAL029478	42,0	27	13,0	19	22	17
		12	10	WAL374533	WAL029479	43,0	28	14,0	19	22	19	
		15	10	WAL374534	WAL060223	44,5	29	15,0	24	27	19	
	15	12	WAL374535	WAL029480	44,5	29	15,0	24	27	22		
	18	10	WAL602655	WAL024917	46,0	30	15,5	27	32	19		
	18	12	WAL374536	WAL029663	46,0	30	15,5	27	32	22		
18	15	WAL374537	WAL029482	47,5	31	16,5	27	32	27			
250	22	15	WAL374538	WAL024355	49,5	33	18,5	32	36	27		
	(3626)	22	18	WAL374762	WAL061992	50,0	33	18,0	32	36	32	
	28	22	WAL604368	WAL024889	54,0	36	21,0	41	41	36		
S	630	16	12	WAL374539	WAL029481	54,0	36	20,0	27	30	24	
		(9137)	20	16	WAL374540	WAL025197	62,5	42	23,0	32	36	30
	(6091)	25	16	WAL604471	WAL060853	68,0	46	25,5	41	46	30	
		25	20	WAL374541	WAL063230	71,0	48	25,5	41	46	36	

L₂ = approximate length with nut tightened