

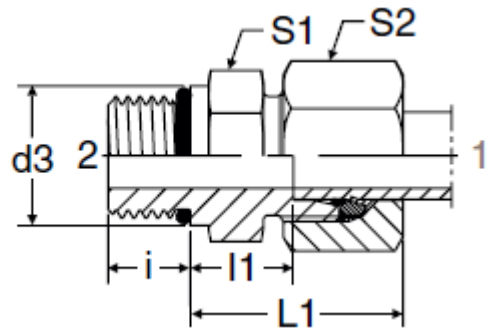
## Spec / Additional Data Sheet

GE – Metric Male Stud x SAE Male Straight

# GE-UNF/UN

Male Connector

24° Flareless / SAE-ORB

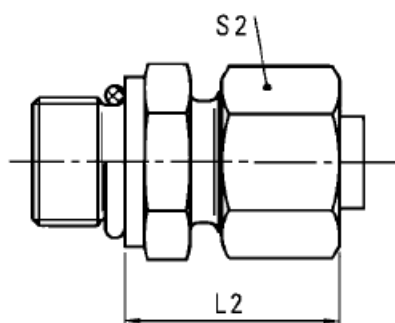


TUBE FITTING PART #	END SIZE		d3 (mm)	i (mm)	l1 (mm)	L1 (mm)	S1 (mm)	S2 (mm)
	1 (mm)	2 UN/UNF						
GE08L7/16UNF	8	7/16-20	14.4	9.0	10.0	25	17	17
GE10L7/16UNF	10	7/16-20	14.4	10.0	11.0	26	17	19
GE12L9/16UNF	12	9/16-18	17.6	10.0	11.0	26	19	22
GE12L3/4UNF	12	3/4-16	22.3	11.0	13.0	28	24	22
GE12L7/8UNF	12	7/8-14	25.5	12.7	14.3	29	27	22
GE15L3/4UNF	15	3/4-16	22.3	11.0	14.0	29	24	27
GE18L3/4UNF	18	3/4-16	22.3	11.0	14.5	31	27	32
GE18L7/8UNF	18	7/8-14	25.5	12.7	14.8	31	27	32
GE22L7/8UNF	22	7/8-14	25.5	12.7	16.8	33	32	36
GE22L11/16UN	22	1 1/16-12	31.9	15.0	16.5	33	32	36
GE22L15/16UN	22	1 5/16-12	38.2	15.0	17.5	34	41	36
GE28L11/16UN	28	1 1/16-12	31.9	15.0	17.5	34	41	41
GE28L15/16UN	28	1 5/16-12	38.2	15.0	17.5	34	41	41
GE35L15/16UN	35	1 5/16-12	38.2	15.0	17.5	39	46	50
GE35L15/8UN	35	1 5/8-12	47.7	15.0	17.5	39	50	50
GE42L15/8UN	42	1 5/8-12	47.7	15.0	19.0	42	55	60
GE08S7/16UNF	8	7/16-20	16.0	9.0	15.0	30	17	19
GE10S9/16UNF	10	9/16-18	17.6	10.0	14.5	31	19	22
GE12S9/16UNF	12	9/16-18	17.6	10.0	14.5	31	22	24
GE12S3/4UNF	12	3/4-16	22.3	11.0	17.5	34	24	24
GE16S3/4UNF	16	3/4-16	22.3	11.0	15.5	34	24	30
GE16S7/8UNF	16	7/8-14	25.5	12.7	18.8	37	27	30
GE20S3/4UNF	20	3/4-16	22.3	11.0	20.5	42	32	36
GE20S7/8UNF	20	7/8-14	25.5	12.7	20.8	42	32	36
GE20S11/16UN	20	1 1/16-12	31.9	15.0	20.5	42	32	36
GE25S11/16UN	25	1 1/16-12	31.9	15.0	23.0	47	36	46
GE25S15/16UN	25	1 5/16-12	38.2	15.0	23.0	47	41	46
GE30S15/16UN	30	1 5/16-12	38.2	15.0	23.5	50	46	50
GE30S15/8UN	30	1 5/8-12	47.7	15.0	23.5	50	50	50
GE38S15/8UN	38	1 5/8-12	47.7	15.0	26.0	57	55	60

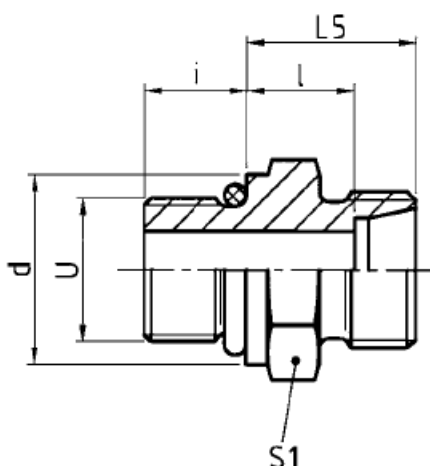
# Male stud connector

SAE O-ring boss/24°

(A) Top Assembly



(B) Body Only



Series	Bar (psi)	Tube O.D.	M	(A) Part Number	(B) Part Number	L5	L2	l	i	d	S1	S2
L	400 (5801)	6	9/16 - 18 UNF	WAL373157 <sup>†</sup>	WAL065356 <sup>†</sup>	25	17	10,0	10,0	17,6	19	14
		8	7/16 - 20 UNF	WAL373158	WAL065358	25	17	10,0	9,0	14,4	17	17
		8	9/16 - 18 UNF	WAL373159	WAL065359	25	17	10,0	10,0	17,6	19	17
		10	7/16 - 20 UNF	WAL373160	WAL065361	26	18	11,0	9,0	14,4	17	19
		10	9/16 - 18 UNF	WAL373161	WAL065362	26	18	11,0	10,0	17,6	19	19
		10	3/4 - 16 UNF	WAL373162	WAL065363	28	20	13,0	11,0	22,3	24	19
	250 (3626)	12	9/16 - 18 UNF	WAL373164	WAL065365	26	18	11,0	10,0	17,6	19	22
			3/4 - 16 UNF	WAL373165	WAL065366	28	20	13,0	11,0	22,3	24	22
			7/8 - 14 UNF	WAL373166	WAL065367	29	21	14,0	12,7	25,5	27	22
			3/4 - 16 UNF	WAL373168	WAL065369	29	21	14,0	11,0	22,3	24	27
			7/8 - 14 UNF	WAL373169	WAL065370	30	22	15,0	12,7	25,5	27	27
			3/4 - 16 UNF	WAL373170	WAL065371	31	22	14,5	11,0	22,3	27	32
		18	7/8 - 14 UNF	WAL373171	WAL065372	31	22	14,5	12,7	25,5	27	32
			7/8 - 14 UNF	WAL373172	WAL065374	33	24	16,5	12,7	25,5	32	36
			1 1/16 - 12 UNF	WAL373173	WAL065377	33	24	16,5	15,0	31,9	32	36
			7/8 - 14 UNF	WAL373174 <sup>†</sup>	WAL065378 <sup>†</sup>	34	25	17,5	12,7	25,5	41	41
			1 5/16 - 12 UNF	WAL373175	WAL065382	34	25	17,5	15,0	38,2	41	41
			1 5/8 - 12 UNF	WAL373177	WAL065384	39	28	17,5	15,0	47,7	50	50
S	630 (9137)	12	3/4 - 16 UNF	WAL373180	WAL065389	34	25	17,5	11,0	22,3	24	24
			3/4 - 16 UNF	WAL373182 <sup>†</sup>	WAL065391 <sup>†</sup>	34	24	15,5	11,0	22,3	24	30
			7/8 - 14 UNF	WAL373183	WAL065392	37	27	18,5	12,7	25,5	27	30
	400 (5801)	20	3/4 - 16 UNF	WAL373184 <sup>†</sup>	WAL065393 <sup>†</sup>	42	31	20,5	11,0	22,3	32	36
			7/8 - 14 UNF	WAL373185 <sup>†</sup>	WAL065394 <sup>†</sup>	42	31	20,5	12,7	25,5	32	36
			1 1/16 - 12 UNF	WAL373186	WAL065395	42	31	20,5	15,0	31,9	32	36
			1 5/16 - 12 UNF	WAL373189	WAL065400	47	35	23,0	15,0	38,2	41	46
	315 (4569)	30	1 5/8 - 12 UNF	WAL373191	WAL065402	50	37	23,5	15,0	47,7	50	50

L<sub>2</sub> = approximate length with nut tightened