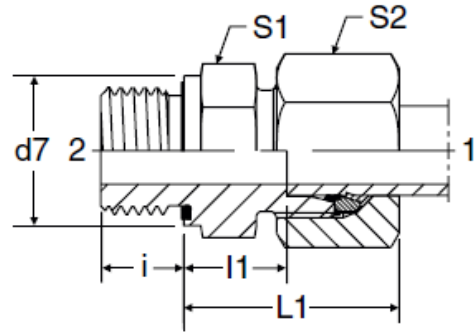


## Spec / Additional Data Sheet

GE- Metric Male Stud x BSP Male ED Straight

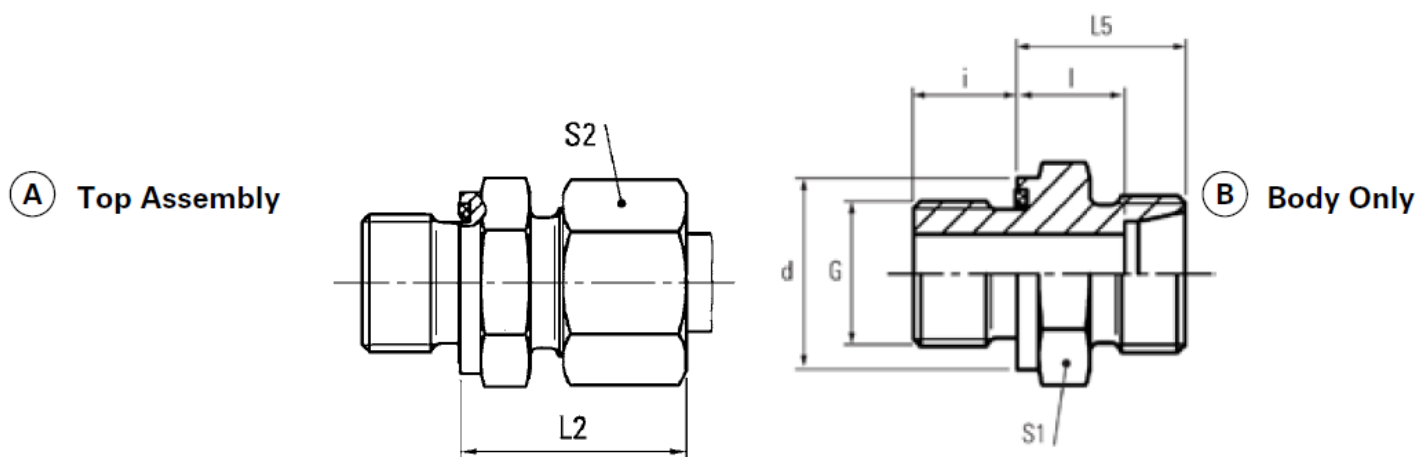
### GE-R-ED

Male Connector  
24° Flareless / BSPP



TUBE FITTING PART #	END SIZE		d7 (mm)	i (mm)	l1 (mm)	L1 (mm)	S1 (mm)	S2 (mm)
	1 (mm)	2 BSPP						
GE04LLRED	4	G 1/8 A	14	8	9.5	19	14	10
GE06LLRED	6	G 1/8 A	14	8	8.0	20	14	12
GE06LRED	6	G 1/8 A	14	8	8.5	23	14	14
GE06LR1/4ED	6	G 1/4A	19	12	10.0	25	19	14
GE08LR1/8ED	8	G 1/8 A	14	8	9.5	24	14	17
GE08LRED	8	G 1/4A	19	12	10.0	25	19	17
GE08LR3/8ED	8	G 3/8 A	22	12	11.5	26	22	17
GE10LRED	10	G 1/4A	19	12	11.0	26	19	19
GE10LR3/8ED	10	G 3/8 A	22	12	12.5	27	22	19
GE10LR1/2ED	10	G 1/2 A	27	14	13.0	28	27	19
GE12LR1/4ED	12	G 1/4A	19	12	12.0	27	19	22
GE12LRED	12	G 3/8 A	22	12	12.5	27	22	22
GE12LR1/2ED	12	G 1/2 A	27	14	13.0	28	27	22
GE15LR3/8ED	15	G 3/8 A	22	12	13.5	29	24	27
GE15LRED	15	G 1/2 A	27	14	14.0	29	27	27
GE18LRED	18	G 1/2 A	27	14	14.5	31	27	32
GE18LR3/4ED	18	G 3/4 A	32	16	14.5	31	32	32
GE22LRED	22	G 3/4 A	32	16	16.5	33	32	36
GE28LRED	28	G1 A	40	18	17.5	34	41	41
GE35LRED	35	G1 1/4A	50	20	17.5	39	50	50
GE42LRED	42	G1 1/2 A	55	22	19.0	42	55	60
GE06SRED	6	G 1/4A	19	12	13.0	28	19	17
GE08SRED	8	G 1/4A	19	12	15.0	30	19	19
GE08SR3/8ED	8	G 3/8 A	22	12	15.5	30	22	19
GE10SR1/4ED	10	G 1/4A	19	12	14.5	31	19	22
GE10SRED	10	G 3/8 A	22	12	15.0	31	22	22
GE10SR1/2ED	10	G 1/2 A	27	14	17.5	34	27	22
GE12SR1/4ED	12	G 1/4A	19	12	16.5	33	22	24
GE12SRED	12	G 3/8 A	22	12	17.0	33	22	24
GE12SR1/2ED	12	G 1/2 A	27	14	17.5	34	27	24
GE14SRED	14	G 1/2 A	27	14	19.0	37	27	27
GE16SR3/8ED	16	G 3/8 A	22	12	18.0	36	27	30
GE16SRED	16	G 1/2 A	27	14	18.5	37	27	30
GE16SR3/4ED	16	G 3/4 A	27	16	20.5	39	32	30
GE20SRED	20	G 3/4 A	32	16	20.5	42	32	36
GE25SR1/2ED	25	G 1/2 A	27	14	23.0	47	41	46
GE25SRED	25	G1 A	40	18	23.0	47	41	46
GE30SRED	30	G1 1/4A	50	20	23.5	50	50	50
GE38SRED	38	G1 1/2 A	55	22	26.0	57	55	60

# Male Stud Connector – BSPP with Seal (NBR) 24°



Series	Bar (psi)	Tube O.D.	DIN-ISO 228 (R..., DIN 259) G	(A) Part Number	(B) Part Number	L <sub>5</sub>	L <sub>2</sub>	l	d	i	S <sub>1</sub>	S <sub>2</sub>
L	500 (7252)	6	G 1/8 A	WAL373115	WAL037615	15,5	23,0	8,5	8	13,9	14	14
		6	G 1/4 A	WAL605925	WAL606456	17,0	24,5	10,0	12	18,9	19	14
		8	G 1/4 A	WAL373116	WAL037616	17,0	25,0	10,0	12	18,9	19	17
		8	G 1/8 A	WAL605926	WAL606457	16,5	24,0	9,5	8	13,9	14	17
	400 (5801)	8	G 3/8 A	WAL605927	WAL606458	18,5	26,0	11,5	12	21,9	22	17
	500 (7252)	10	G 1/4 A	WAL373117	WAL037617	18,0	26,0	11,0	12	18,9	19	19
		10	G 3/8 A	WAL602560	WAL027596	19,5	27,0	12,5	12	21,9	22	19
		10	G 1/2 A	WAL605928	WAL606414	21,0	27,5	13,0	14	26,9	27	19
	400 (5801)	12	G 1/4 A	WAL373118	WAL037618	19,0	27,0	12,0	12	18,9	19	22
		12	G 3/8 A	WAL373119	WAL037619	19,5	27,0	12,5	12	21,9	22	22
		12	G 1/2 A	WAL602513 <sup>†</sup>	WAL024957 <sup>†</sup>	20,0	28,0	13,0	14	26,9	27	22
		15	G 1/2 A	WAL373120	WAL037620	21,0	28,5	13,5	14	26,9	24	27
		15	G 3/8 A	WAL605443	WAL604985	20,5	29,0	14,0	12	21,9	27	27
		18	G 1/2 A	WAL373121	WAL037621	22,0	31,0	14,5	14	26,9	27	32
		18	G 3/4 A	WAL605215	WAL605124	22,0	31,0	14,5	16	31,9	32	32
250 (3626)	22	G 3/4 A	WAL373122	WAL037622	24,0	33,0	16,5	14	26,9	32	36	
	28	G 1 A	WAL373123	WAL037623	25,0	34,0	17,5	18	39,9	41	41	
	35	G 1 1/4 A	WAL373124	WAL037624	28,0	39,0	17,5	20	49,9	50	50	
	42	G 1 1/2 A	WAL373125	WAL037625	30,0	42,0	19,0	22	54,9	55	60	
S	800 (11603)	6	G 1/4 A	WAL373126	WAL037626	20,0	28,0	13,0	12	18,9	19	17
		8	G 1/4 A	WAL373127	WAL037627	22,0	30,0	15,0	12	18,9	19	19
		8	G 3/8 A	WAL604229	WAL371292	22,5	30,5	15,5	12	21,9	22	19
		10	G 3/8 A	WAL373128	WAL037628	22,5	31,0	15,0	12	21,9	22	22
		10	G 1/4 A	WAL605114	WAL602927	22,0	30,5	14,5	12	18,9	19	22
		10	G 1/2 A	WAL605932	WAL606460	25,0	33,5	17,5	14	26,9	27	22
	630 (9137)	12	G 3/8 A	WAL373129	WAL037629	24,5	33,0	17,0	12	21,9	22	24
		12	G 1/4 A	WAL605933	WAL606425	24,0	32,5	16,5	12	18,9	22	24
		12	G 1/2 A	WAL604466	WAL027858	25,0	34,0	17,5	14	26,9	27	24
		14	G 1/2 A	WAL373130	WAL037630	27,0	37,0	19,0	14	26,9	27	27
		16	G 1/2 A	WAL373131	WAL037631	27,0	37,0	18,5	14	26,9	27	30
		16	G 3/8 A	WAL605222	WAL371285	26,0	36,5	18,0	12	21,9	27	30
	420 (6091)	16	G 3/4 A	WAL604561	WAL066454	29,0	39,0	20,5	16	31,9	32	30
		20	G 3/4 A	WAL373132	WAL037632	31,0	42,0	20,5	16	31,9	32	36
		25	G 1 A	WAL373133	WAL037633	35,0	47,0	23,0	18	39,9	41	46
25		G 3/4 A	WAL604562	WAL066516	35,0	47,0	23,0	16	31,9	41	46	
30		G 1 1/4 A	WAL373134	WAL037634	37,0	50,0	23,5	20	49,9	50	50	
38		G 1 1/2 A	WAL373135	WAL037635	42,0	57,0	26,0	22	54,9	55	60	

L<sub>2</sub> = approximate length with nut tightened