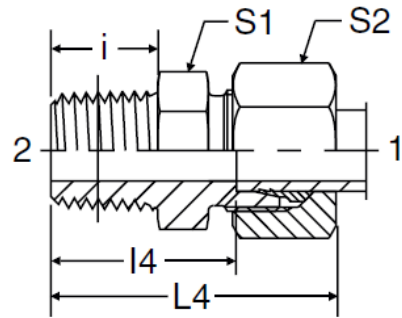


## Spec / Additional Data Sheet

GE- Metric Male Stud x NPT Male Straight

### GE-NPT

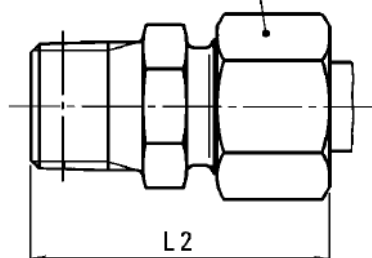
Male Connector  
24° Flareless / NPTF



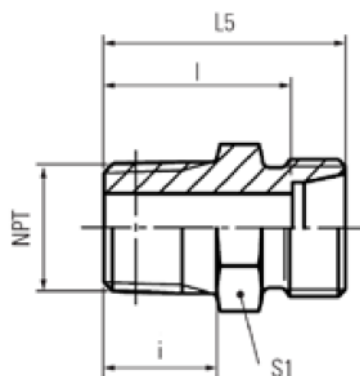
TUBE FITTING PART #	END SIZE		i (mm)	14 (mm)	L4 (mm)	S1 (mm)	S2 (mm)
	1 (mm)	2 NPT					
GE04LL1/8NPT	4	1/8-27	10.0	18.5	28	11	10
GE06LL1/8NPT	6	1/8-27	10.0	16.5	28	11	12
GE08LL1/8NPT	8	1/8-27	10.0	18.5	30	12	14
GE06L1/8NPT	6	1/8-27	10.0	17.0	32	12	14
GE06L1/4NPT	6	1/4-18	15.0	23.0	38	17	14
GE08L1/4NPT	8	1/4-18	15.0	23.0	38	17	17
GE10L1/4NPT	10	1/4-18	15.0	24.0	39	17	19
GE10L3/8NPT	10	3/8-18	15.3	25.0	40	19	19
GE12L1/4NPT	12	1/4-18	15.0	25.0	40	19	22
GE12L3/8NPT	12	3/8-18	15.3	25.0	40	19	22
GE12L1/2NPT	12	1/2-14	20.0	30.0	45	22	22
GE15L1/2NPT	15	1/2-14	20.0	31.0	46	24	27
GE18L1/2NPT	18	1/2-14	20.0	31.5	48	27	32
GE22L3/4NPT	22	3/4-14	20.0	33.5	50	32	36
GE28L1NPT	28	1-11 1/2	25.0	39.5	56	41	41
GE35L1 1/4NPT	35	1 1/4-11 1/2	25.5	40.5	62	46	50
GE42L1 1/2NPT	42	1 1/2-11 1/2	26.0	42.0	65	55	60
GE06S1/4NPT	6	1/4-18	15.0	28.0	43	17	17
GE08S1/4NPT	8	1/4-18	15.0	28.0	43	17	19
GE10S1/4NPT	10	1/4-18	15.0	27.5	44	19	22
GE10S3/8NPT	10	3/8-18	15.3	27.5	44	19	22
GE12S1/4NPT	12	1/4-18	15.0	29.5	46	22	24
GE12S3/8NPT	12	3/8-18	15.3	29.5	46	22	24
GE12S1/2NPT	12	1/2-14	20.0	34.5	51	22	24
GE14S1/2NPT	14	1/2-14	20.0	36.0	54	24	27
GE16S1/2NPT	16	1/2-14	20.0	35.5	54	27	30
GE20S3/4NPT	20	3/4-14	20.0	37.5	59	32	36
GE25S1NPT	25	1-11 1/2	25.0	45.0	69	41	46
GE30S1 1/4NPT	30	1 1/4-11 1/2	25.5	46.5	73	46	50
GE38S1 1/2NPT	38	1 1/2-11 1/2	26.0	49.0	80	55	60

# Male Stud Connector – Male NPT 24°

**(A) Top Assembly**



**(B) Body Only**



Series	Bar (psi)	Tube O.D.	NPT	(A)	(B)	L <sub>2</sub>	L <sub>5</sub>	l	i	S <sub>1</sub>	S <sub>2</sub>	
				Part Number	Part Number							
LL	100 (1450)	4	1/8 NPT	WAL038241 <sup>†</sup>	WAL037528 <sup>†</sup>	28	22	18,0	10	11	10	
		6	1/8 NPT	WAL038243	WAL037530	28	22	16,5	10	11	12	
		8	1/8 NPT	WAL038244	WAL037531	30	24	18,5	10	12	14	
L	315 (4563)	6	1/8 NPT	WAL373026	WAL037532	32	24	17,0	10	12	14	
		6	1/4 NPT	WAL373027	WAL037533	38	30	23,0	15	17	14	
		8	1/4 NPT	WAL373028	WAL037534	38	30	23,0	15	17	17	
		10	1/4 NPT	WAL373029	WAL037535	39	31	24,0	15	17	19	
		10	3/8 NPT	WAL373030	WAL037536	40	32	25,0	15	19	19	
		12	1/4 NPT	WAL373031	WAL037537	40	32	25,0	15	19	22	
		12	3/8 NPT	WAL373032	WAL037538	40	32	25,0	15	19	22	
		12	1/2 NPT	WAL373033	WAL037539	45	37	30,0	20	24	22	
		15	1/2 NPT	WAL373034	WAL037540	46	38	31,0	20	24	27	
		18	1/2 NPT	WAL373035	WAL037541	48	39	31,5	20	27	32	
		160 (2321)	22	3/4 NPT	WAL373036	WAL037542	50	41	33,5	20	32	36
			28	1 NPT	WAL373037	WAL037543	56	47	39,5	25	41	41
35	1 3/4 NPT		WAL373038	WAL037544	62	51	40,5	26	46	50		
42	1 1/2 NPT		WAL373039 <sup>†</sup>	WAL037545 <sup>†</sup>	65	53	42,0	26	55	60		
S	630 9137	6	1/4 NPT	WAL373040	WAL037546	43	35	28,0	15	17	17	
		8	1/4 NPT	WAL373041	WAL037547	43	35	28,0	15	17	19	
	10	1/4 NPT	WAL373042	WAL037548	44	35	27,5	15	19	22		
	10	3/8 NPT	WAL373043	WAL037549	44	35	27,5	15	19	22		
	12	1/4 NPT	WAL373044	WAL037550	46	37	29,5	15	22	24		
	12	3/8 NPT	WAL373045	WAL037551	46	37	29,5	15	22	24		
	12	1/2 NPT	WAL373046	WAL037552	51	42	34,5	20	22	24		
	400 5801	16	1/2 NPT	WAL373048	WAL037554	54	44	35,5	20	27	30	
		20	3/4 NPT	WAL373049	WAL037555	59	48	37,5	20	32	36	
	315 (4569)	25	1 NPT	WAL373050	WAL037556	69	57	45,0	25	41	46	
30		1 1/4 NPT	WAL373051	WAL037557	73	60	46,5	26	46	50		
		38	1 1/2 NPT	WAL373052 <sup>†</sup>	WAL037558 <sup>†</sup>	80	65	49,0	26	55	60	

L<sub>2</sub> = approximate length with nut tightened.