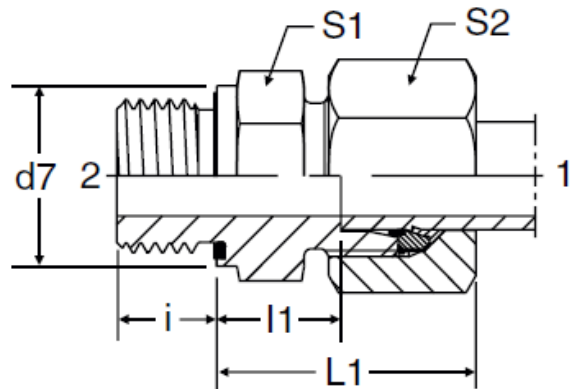


## Spec / Additional Data Sheet

GE- Metric Male Stud x Metric Male ED Straight

### GE-M-ED

Male Connector  
24° Flareless / Metric with EOlastic Seal

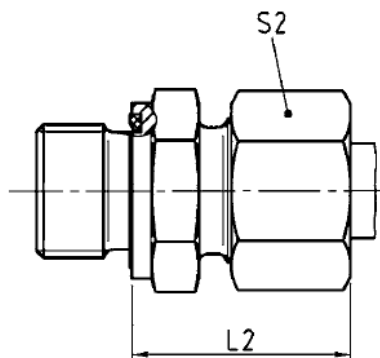


TUBE FITTING PART #	END SIZE		d7 (mm)	i (mm)	l1 (mm)	L1 (mm)	S1 (mm)	S2 (mm)
	1 (mm)	2 Metric						
GE06LMED	6	M10 x 1	14	8	8.5	23	14	14
GE08LMED	8	M12 x 1.5	17	12	10.0	25	17	17
GE10LMED	10	M14 x 1.5	19	12	11.0	26	19	19
GE12LMED	12	M16 x 1.5	22	12	12.5	27	22	22
GE12LM18X1.5ED	12	M18 x 1.5	24	12	12.5	27	24	22
GE12LM22X1.5ED	12	M22 x 1.5	27	14	14.0	29	27	22
GE15LMED	15	M18 x 1.5	24	12	13.5	29	24	27
GE15LM22X1.5ED	15	M22 x 1.5	27	14	15.0	30	27	27
GE18LMED	18	M22 x 1.5	27	14	14.5	31	27	32
GE22LMED	22	M26 x 1.5	32	16	16.5	33	32	36
GE28LMED	28	M33 x 2	40	18	17.5	34	41	41
GE35LMED	35	M42 x 2	50	20	17.5	39	50	50
GE42LMED	42	M48 x 2	55	22	19.0	42	55	60
GE06SMED	6	M12 x 1.5	17	12	13.0	28	17	17
GE08SMED	8	M14 x 1.5	19	12	15.0	30	19	19
GE10SMED	10	M16 x 1.5	22	12	15.0	31	22	22
GE12SMED	12	M18 x 1.5	24	12	17.0	33	24	24
GE14SMED	14	M20 x 1.5	26	14	19.0	37	27	27
GE16SMED	16	M22 x 1.5	27	14	18.5	37	27	30
GE20SMED	20	M27 x 2	32	16	20.5	42	32	36
GE25SMED	25	M33 x 2	40	18	23.0	47	41	46
GE30SMED	30	M42 x 2	50	20	23.5	50	50	50
GE38SMED	38	M48 x 2	55	22	26.0	57	55	60

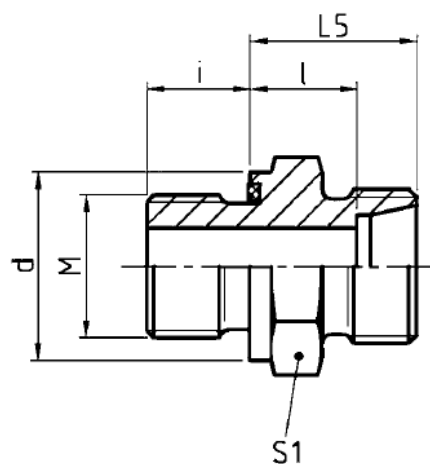
# Male stud connector

## Metric with seal (NBR)/24°

**(A) Top Assembly**



**(B) Body Only**



Series	Bar (psi)	Tube O.D.	M	(A) Part Number	(B) Part Number	L <sub>5</sub>	L <sub>2</sub>	l	i	d	S <sub>1</sub>	S <sub>2</sub>
L	500 (7572)	6	M 10 x 1,0	WAL373136	WAL037638	15,5	23,0	8,5	8	13,9	14	14
		8	M 12 x 1,5	WAL373137	WAL037639	17,0	25,0	10,0	12	16,9	17	17
		10	M 14 x 1,5	WAL373138	WAL037640	18,0	26,0	11,0	12	18,9	19	19
		10	M 18 x 1,5	WAL605930	WAL606459	19,5	27,0	12,5	12	23,9	24	19
		10	M 22 x 1,5	WAL605931	WAL604706	20,0	27,5	13,0	14	26,9	27	19
	400 (5801)	12	M 16 x 1,5	WAL373139	WAL037641	19,5	27,0	12,5	12	21,9	22	22
		12	M 18 x 1,5	WAL602562	WAL024966	17,0	27,0	12,5	12	23,9	24	22
		12	M 22 x 1,5	WAL602563	WAL604514	20,0	27,5	13,0	14	26,9	27	22
		15	M 18 x 1,5	WAL373140	WAL037642	20,5	29,0	13,5	12	23,9	24	27
		15	M 22 x 1,5	WAL602564	WAL604266	21,0	29,0	14,0	14	26,9	27	27
	250 (3626)	18	M 22 x 1,5	WAL373141	WAL037643	22,0	30,0	14,0	14	26,9	27	32
		18	M 18 x 1,5	WAL605934	WAL606294	21,5	31,0	14,5	12	23,9	27	32
22		M 26 x 1,5	WAL373142	WAL037644	24,0	33,0	16,5	16	31,9	32	36	
28		M 33 x 2,0	WAL373143	WAL037645	25,0	34,0	17,5	18	39,9	41	41	
35		M 42 x 2,0	WAL373144	WAL037646	28,0	39,0	17,5	20	49,9	50	50	
	42	M 48 x 2,0	WAL373145	WAL037647	30,0	42,0	19,0	22	54,9	55	60	
S	800 (11603)	6	M 12 x 1,5	WAL373146	WAL037648	20,0	28,0	13,0	12	16,9	17	17
		8	M 14 x 1,5	WAL373147	WAL037649	22,0	30,0	15,0	12	18,9	19	19
		10	M 16 x 1,5	WAL373148	WAL037650	22,5	31,0	15,0	12	21,9	22	22
	630 (9137)	12	M 18 x 1,5	WAL373149	WAL037651	24,5	33,0	17,0	12	23,9	24	24
		16	M 22 x 1,5	WAL373151	WAL037653	27,0	37,0	18,5	14	26,9	27	30
	420 (6091)	20	M 27 x 2,0	WAL373152	WAL037654	31,0	42,0	20,5	16	31,9	32	36
		25	M 33 x 2,0	WAL373153	WAL037655	35,0	47,0	23,0	18	39,9	41	41
		30	M 42 x 2,0	WAL373154	WAL037656	37,0	50,0	23,5	20	49,9	50	50
		38	M 48 x 2,0	WAL373155	WAL037657	42,0	57,0	26,0	22	54,9	55	60

L<sub>2</sub> = approximate length with nut tightened