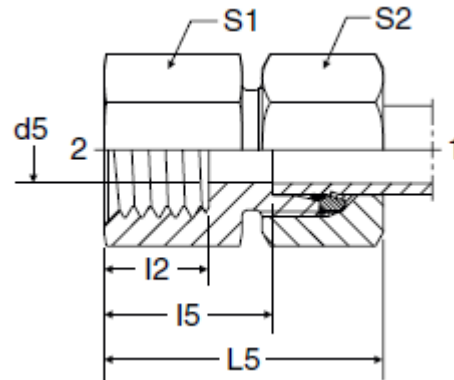


Spec / Additional Data Sheet

GAI- Metric Male Stud x BSP Female Straight

GAI-R

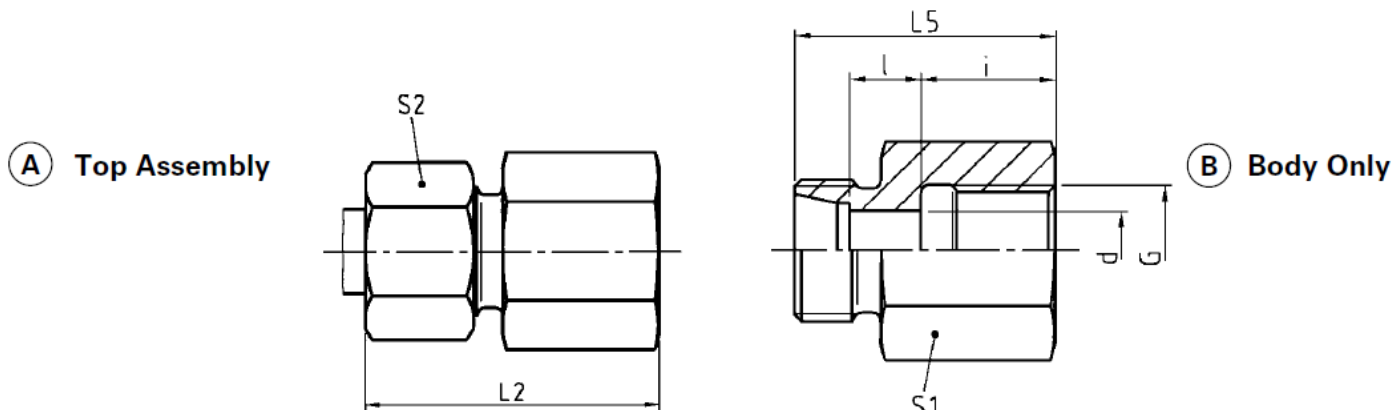
Female Connector
24° Flareless / BSPP



TUBE FITTING PART #	END SIZE		d5 (mm)	I 2 (mm)	I 5 (mm)	L5 (mm)	S1 (mm)	S2 (mm)
	1 (mm)	2 BSPP						
GAI06LR	6	G 1/8	4	12.0	19.0	34	14	14
GAI08LR	8	G 1/4	6	17.0	24.0	39	19	17
GAI08LR3/8	8	G 3/8	6	17.0	25.0	40	24	17
GAI08LR1/2	8	G 1/2	6	20.0	29.0	44	27	17
GAI10LR	10	G 1/4	8	17.0	25.0	40	19	19
GAI10LR3/8	10	G 3/8	8	17.0	26.0	41	24	19
GAI10LR1/2	10	G 1/2	8	20.0	30.0	45	27	19
GAI12LR	12	G 3/8	10	17.0	26.0	41	24	22
GAI12LR1/2	12	G 1/2	10	20.0	30.0	45	27	22
GAI15LR	15	G 1/2	12	20.0	31.0	46	27	27
GAI18LR	18	G 1/2	15	20.0	30.5	47	27	32
GAI22LR	22	G 3/4	19	22.0	35.5	52	36	36
GAI28LR	28	G 1	24	24.5	38.0	55	41	41
GAI35LR	35	G 1 1/4	30	26.5	41.0	63	55	50
GAI42LR	42	G 1 1/2	36	28.5	42.5	65	60	60
GAI06SR	6	G 1/4	4	17.0	26.0	41	19	17
GAI08SR	8	G 1/4	5	17.0	26.0	41	19	19
GAI10SR	10	G 3/8	7	17.0	26.5	43	24	22
GAI12SR	12	G 3/8	8	17.0	26.5	43	24	24
GAI14SR	14	G 1/2	10	20.0	32.0	50	30	27
GAI16SR	16	G 1/2	12	20.0	31.5	50	30	30
GAI20SR	20	G 3/4	16	22.0	34.5	56	36	36
GAI25SR	25	G 1	20	24.5	37.5	62	41	46
GAI30SR	30	G 1 1/4	25	26.5	42.0	69	55	50
GAI38SR	38	G 1 1/2	32	28.5	43.5	74	60	60

Female BSPP connector

BSPP female/24°



Series	Bar (psi)	Tube O.D.	DIN-ISO 228 (R..., DIN 259) G	(A) Part Number	(B) Part Number	L ₂	L ₅	l	i	d	S ₁	S ₂	
L	250 (3626)	6	G 1/8	WAL374305	WAL038084	34	26,0	7,0	12,0	4	14	14	
		8	G 1/4	WAL374306	WAL038085	39	31,0	7,0	17,0	6	19	17	
		10	G 1/4	WAL374307	WAL038086	40	32,0	8,0	17,0	8	19	19	
		12	G 1/4	WAL374308	WAL038087	40	32,0	8,0	17,0	8	19	22	
		12	G 3/8	WAL374309	WAL038088	41	33,0	9,0	17,0	10	24	22	
	160 (2321)	15	G 1/2	WAL374310	WAL038089	46	38,0	11,0	20,0	12	30	27	
		18	G 1/2	WAL374311	WAL038090	47	38,0	10,5	20,0	15	27	32	
		22	G 3/4	WAL374312	WAL038091	52	43,0	13,5	22,0	19	36	36	
		100 (1450)	28	G 1	WAL374313	WAL038092	55	45,5	13,5	24,5	24	41	41
		35	G 1 1/4	WAL374314	WAL038093	63	51,5	14,5	26,5	30	55	50	
	42	G 1 1/2	WAL374315 [†]	WAL038094 [†]	65	53,5	14,0	28,5	36	60	60		
S	630 (9137)	6	G 1/4	WAL374316	WAL038095	41	33,0	9,0	17,0	4	19	17	
		8	G 1/4	WAL374317	WAL038096	41	33,0	9,0	17,0	5	19	19	
		10	G 3/8	WAL374318	WAL038097	43	34,0	9,5	17,0	7	24	22	
		12	G 3/8	WAL374319	WAL038098	43	34,0	9,5	17,0	8	24	24	
	400 (5801)	16	G 1/2	WAL374321	WAL038100	50	40,0	11,5	20,0	12	30	30	
		20	G 3/4	WAL374322	WAL038101	56	45,0	12,5	22,0	16	36	36	
		25	G 1	WAL374323	WAL038102	62	49,5	13,0	24,5	20	41	46	
	250 (3526)	30	G 1 1/4	WAL374324 [†]	WAL038103 [†]	69	55,5	15,5	26,5	25	55	50	
		38	G 1 1/2	WAL374325 [†]	WAL038104 [†]	74	59,5	15,0	28,5	32	60	60	

L₂ = approximate length with nut tightened