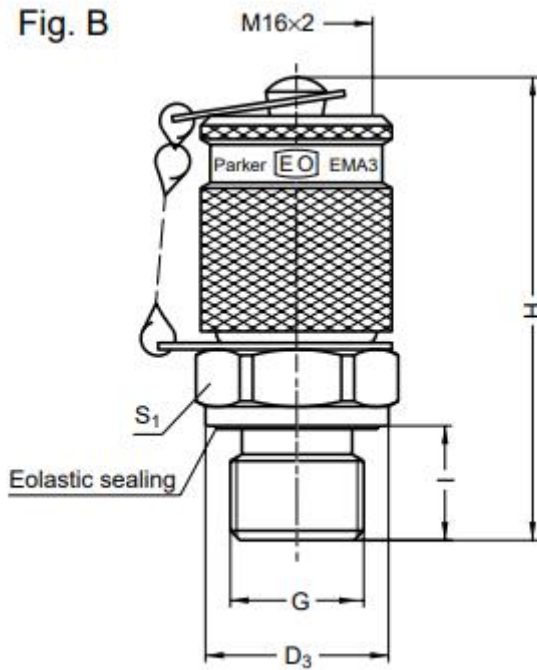


## Spec / Additional Data Sheet

EMA3 – Metric Test Point x Metric Male ED (G)



PN (bar)	P <sub>max</sub> (bar)	G	S <sub>1</sub>	I	L	H	D <sub>3</sub>	Form	Part no. Steel
630	700	M10 <sub>∞</sub> 1	17	10.0		47	14.0	B	EMA3/10 <sub>∞</sub> 1ED
630	700	M12 <sub>∞</sub> 1.5	17	12.0		49	17.0	B	EMA3/12 <sub>∞</sub> 1.5ED
400	630	M14 <sub>∞</sub> 1.5	19	12.0		49	19.0	B	EMA3/14 <sub>∞</sub> 1.5ED