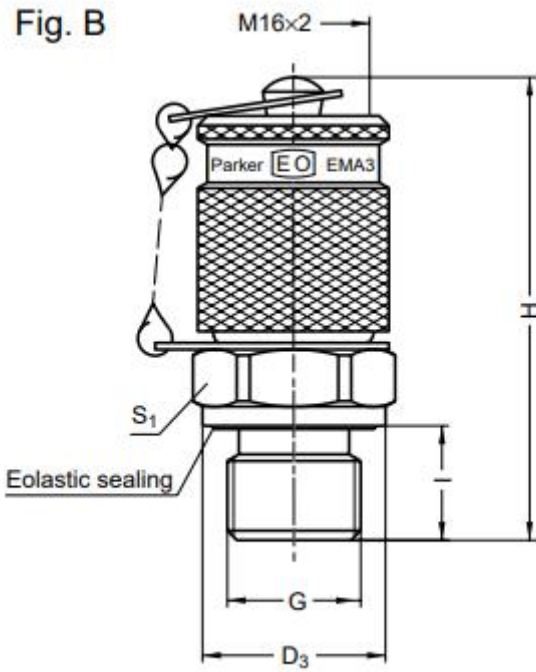


## Spec / Additional Data Sheet

EMA3 – Metric Test Point x BSP Male ED (G)



PN (bar)	P <sub>max</sub> (bar)	G	S <sub>1</sub>	I	L	H	D <sub>3</sub>	Form	Part no. Steel
630	700	G1/8	17	8.0		45	14.0	B	EMA3/1/8ED
630	700	G1/4	19	12.0		49	19.0	B	EMA3/1/4ED
630	700	G3/8	22	12.0		49	22.0	B	EMA3/3/8ED