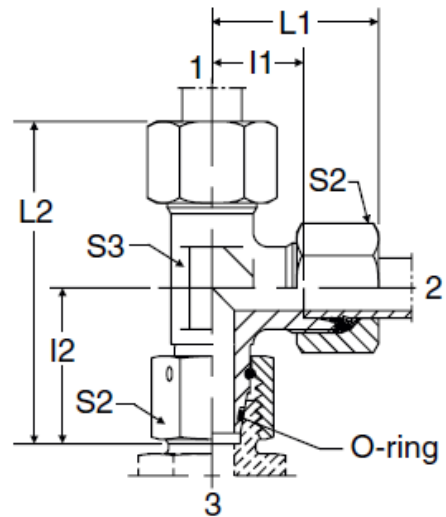


Spec / Additional Data Sheet

EL – Metric Male/Male/Female Run Tee

EL

Swivel Nut Run Tee
24° Flareless / Flareless Swivel

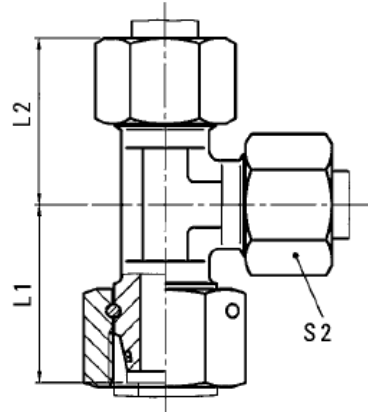


TUBE FITTING PART #	END SIZE		I1 (mm)	I2 (mm)	L1 (mm)	L2 (mm)	S2 (mm)	S3 (mm)	O-Ring I.D. & Cross Section (mm)
	1 & 2 (mm)	3 Metric							
EL06L	6	M12 x 1.5	12.0	26.0	27	53	14	12	OR4.5 x 1.5X
EL08L	8	M14 x 1.5	14.0	27.5	29	56	17	12	OR6.5 x 1.5X
EL10L	10	M16 x 1.5	15.0	29.0	30	59	19	14	OR8 x 1.5X
EL12L	12	M18 x 1.5	17.0	29.5	32	61	22	17	OR10 x 1.5X
EL15L	15	M22 x 1.5	21.0	32.5	36	69	27	19	OR12 x 2X
EL18L	18	M26 x 1.5	23.5	35.5	40	75	32	24	OR15 x 2X
EL22L	22	M30 x 2	27.5	38.5	44	82	36	27	OR20 x 2X
EL28L	28	M36 x 2	30.5	41.5	47	89	41	36	OR26 x 2X
EL35L	35	M45 x 2	34.5	51.0	56	107	50	41	OR32 x 2.5X
EL42L	42	M52 x 2	40.0	56.0	63	119	60	50	OR38 x 2.5X
EL06S	6	M14 x 1.5	16.0	27.0	31	58	17	12	OR4.5 x 1.5X
EL08S	8	M16 x 1.5	17.0	27.5	32	59	19	14	OR6.5 x 1.5X
EL10S	10	M18 x 1.5	17.5	30.0	34	64	22	17	OR8 x 1.5X
EL12S	12	M20 x 1.5	21.5	31.0	38	69	24	17	OR10 x 1.5X
EL14S	14	M22 x 1.5	22.0	35.0	40	75	27	19	OR11 x 2X
EL16S	16	M24 x 1.5	24.5	36.5	43	79	30	24	OR13 x 2X
EL20S	20	M30 x 2	26.5	44.5	48	93	36	27	OR16.3 x 2.4X
EL25S	25	M36 x 2	30.0	50.0	54	104	46	36	OR20.3 x 2.4X
EL30S	30	M42 x 2	35.5	55.0	62	117	50	41	OR25.3 x 2.4X
EL38S	38	M52 x 2	41.0	63.0	72	135	60	50	OR33.3 x 2.4X

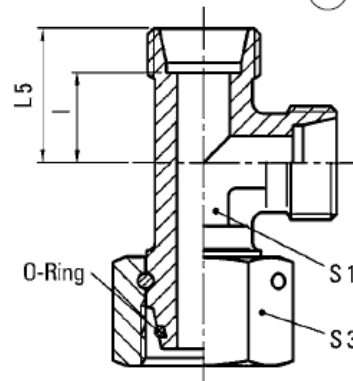
Run tee swivel connector

24°/24° Swivel/24°

(A) Top Assembly



(B) Body Only



Series	Bar (psi)	Tube O.D.	(A) Part Number	(B) Part Number	L1	L2	L5	I	S1	S2	S3	O-Ring
L	500 (7252)	6	WAL374594	WAL063917	26,0	29	21	14,0	12	14	17	4,5 x 1,5
		8	WAL374595	WAL063918	27,5	29	21	14,0	12	17	17	6,0 x 1,5
		10	WAL374596	WAL063919	29,0	30	22	15,0	14	19	19	8,5 x 1,5
	400 (5801)	12	WAL372991	WAL063920	29,5	32	24	17,0	17	22	22	10,0 x 1,5
		15	WAL374597	WAL063921	32,5	36	28	21,0	19	27	27	12,0 x 2,0
		18	WAL374598	WAL063922	35,5	40	31	23,5	24	32	32	15,0 x 2,0
	250 (3626)	22	WAL374599	WAL063923	38,5	44	35	27,5	27	36	36	20,0 x 2,0
		28	WAL374600	WAL063924	41,5	47	38	30,5	36	41	46	26,0 x 2,0
		35	WAL374601	WAL063925	51,0	56	45	34,5	41	50	50	32,0 x 2,5
		42	WAL374602	WAL063926	56,0	63	51	40,0	50	60	60	38,0 x 2,5
S	800 (11603)	6	WAL374603	WAL063927	27,0	31	23	16,0	12	17	17	4,5 x 1,5
		8	WAL374604	WAL063928	27,5	32	24	17,0	14	19	19	6,0 x 1,5
		10	WAL374605	WAL063929	30,0	34	25	17,5	17	22	22	8,5 x 1,5
	630 (9137)	12	WAL374606	WAL063930	31,0	38	29	21,5	17	24	24	10,0 x 1,5
		16	WAL374608	WAL063932	36,5	43	33	24,5	24	30	30	14,0 x 2,0
	420 (6091)	20	WAL374609	WAL063933	44,5	48	37	26,5	27	36	36	17,3 x 2,4
		25	WAL374610	WAL063934	50,0	54	42	30,0	36	46	46	22,3 x 2,4
	400 (5801)	30	WAL374611	WAL063935	55,0	62	49	35,5	41	50	50	27,3 x 2,4
		38	WAL374612	WAL063936	63,0	72	57	41,0	50	60	60	35,0 x 2,5

L₁ = approximate length with nut tightened