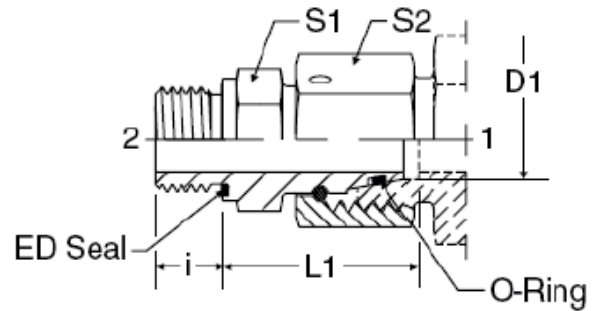


Spec / Additional Data Sheet

EGE – Metric Female Swivel x BSP Male ED Straight

EGE-R-ED

Swivel Connector
Flareless Swivel / BSPP with EOlastic Seal



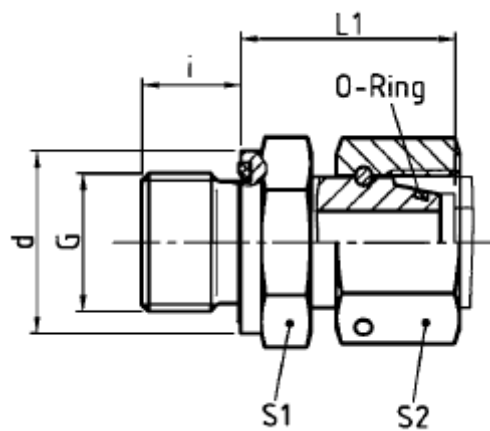
TUBE FITTING PART #	END SIZE		D1 TUBE O.D. (mm)	d2 (mm)	i (mm)	L1 (mm)	S1 (mm)	S2 (mm)	O-Ring I.D. & Cross Section (mm)
	1 Metric	2 BSPP							
EGE06LRED	M12 x 1.5	G 1/8A	6	14	8	24.5	14	14	OR4.5 x 1.5X
EGE08LRED	M14 x 1.5	G 1/4A	8	19	12	29.5	19	17	OR6.5 x 1.5X
EGE10LRED	M16 x 1.5	G 1/4A	10	19	12	27.5	19	19	OR8 x 1.5X
EGE12LRED	M18 x 1.5	G 3/8A	12	22	12	34.0	22	22	OR10 x 1.5X
EGE15LRED	M22 x 1.5	G 1/2A	15	27	14	32.0	27	27	OR12 x 2X
EGE18LRED	M26 x 1.5	G 1/2A	18	27	14	31.5	27	32	OR15 x 2X
EGE22LRED	M30 x 2	G 3/4A	22	32	16	32.5	32	36	OR20 x 2X
EGE28LRED	M36 x 2	G 1A	28	40	18	35.0	41	41	OR26 x 2X
EGE35LRED	M45 x 2	G 1 1/4A	35	50	20	42.5	50	50	OR32 x 2.5X
EGE42LRED	M52 x 2	G 1 1/2A	42	55	22	46.5	55	60	OR38 x 2.5X
EGE06SRED	M14 x 1.5	G 1/4A	6	19	12	27.0	19	17	OR4.5 x 1.5X
EGE08SRED	M16 x 1.5	G 1/4A	8	19	12	29.5	19	19	OR6.5 x 1.5X
EGE10SRED	M18 x 1.5	G 3/8A	10	22	12	32.0	22	22	OR8 x 1.5X
EGE12SRED	M20 x 1.5	G 3/8A	12	22	12	34.0	22	24	OR10 x 1.5X
EGE14SRED	M22 x 1.5	G 1/2A	14	27	14	36.5	27	27	OR11 x 2X
EGE16SRED	M24 x 1.5	G 1/2A	16	27	14	37.0	27	30	OR13 x 2X
EGE20SRED	M30 x 2	G 3/4A	20	32	16	43.0	32	36	OR16.3 x 2.4X
EGE25SRED	M36 x 2	G 1A	25	40	18	48.0	41	46	OR20.3 x 2.4X
EGE30SRED	M42 x 2	G 1 1/4A	30	50	20	51.0	50	50	OR25.3 x 2.4X
EGE38SRED	M52 x 2	G 1 1/2A	38	55	22	60.0	55	60	OR33.3 x 2.4X

Stud standpipe

connector

BSP with seal (NBR)/

24° swivel with seal (NBR)



Series	Bar (psi)	Tube O.D.	DIN-ISO 228 (R..., DIN 259) G	Part Number	L1	i	d	S1	S2	O-Ring
L	500 (7252)	6	G 1/8 A	WAL063661	24,5	8	13,9	14	17	4,5 x 1,5
		8	G 1/4 A	WAL063662	29,5	12	18,9	19	17	6,0 x 1,5
		10	G 1/4 A	WAL063663	27,5	12	18,9	19	19	8,5 x 1,5
	400 (5801)	12	G 1/4 A	WAL063664	27,5	12	18,9	19	22	10,0 x 1,5
		12	G 3/8 A	WAL063665	34,0	12	21,9	22	22	10,0 x 1,5
		15	G 1/2 A	WAL063666	32,0	14	26,9	27	27	12,0 x 2,0
	250 (3626)	18	G 1/2 A	WAL063667	31,5	14	26,9	27	32	15,0 x 2,0
		22	G 3/4 A	WAL063668	32,5	16	31,9	32	36	20,0 x 2,0
		28	G 1 A	WAL063669	35,0	18	39,9	41	46	26,0 x 2,0
		35	G 1 1/4 A	WAL063670	42,5	20	49,9	50	50	32,0 x 2,5
		42	G 1 1/2 A	WAL063671	46,5	22	54,9	55	60	38,0 x 2,5
S	800 (11603)	6	G 1/4 A	WAL063672	27,0	12	18,9	19	17	4,5 x 1,5
		8	G 1/4 A	WAL063673	29,5	12	18,9	19	19	6,0 x 1,5
		10	G 3/8 A	WAL063674	32,0	12	21,9	22	22	8,5 x 1,5
	630 (9137)	12	G 3/8 A	WAL063675	34,0	12	21,9	22	24	10,0 x 1,5
		12	G 1/2 A	WAL063676	34,5	14	26,9	27	24	10,0 x 1,5
		16	G 1/2 A	WAL063678	37,0	14	26,9	27	30	14,0 x 2,0
	420 (6091)	20	G 3/4 A	WAL063679	43,0	16	31,9	32	36	17,3 x 2,4
		25	G 1 A	WAL063680	48,0	18	39,9	41	46	22,3 x 2,4
	400 (5801)	30	G 1 1/4 A	WAL063681	51,0	20	49,9	50	50	27,3 x 2,4
		38	G 1 1/2 A	WAL063682	60,0	22	54,9	55	60	35,0 x 2,5