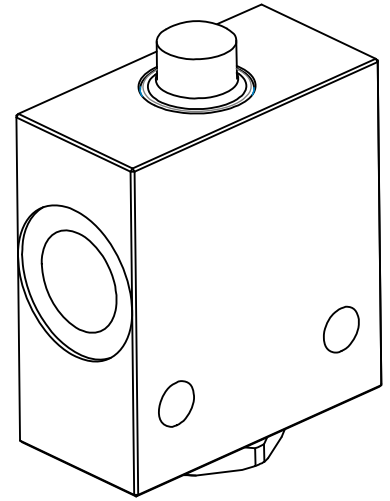
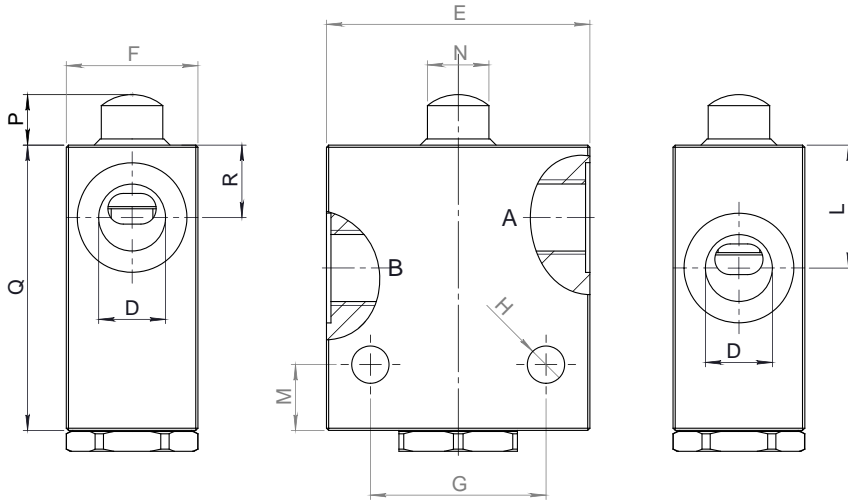
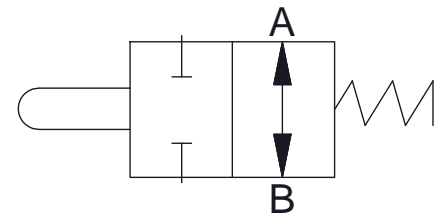


### Dimensions



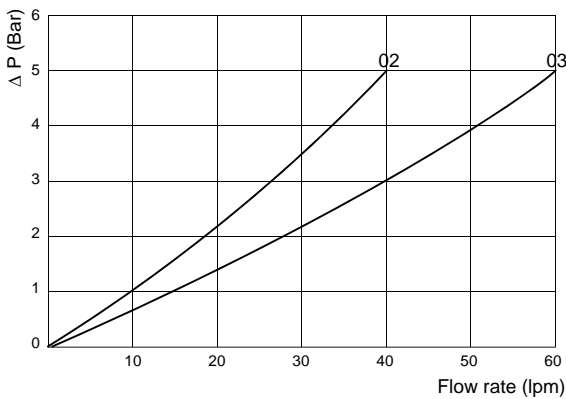
| Size | C     | D<br>BSP | E  | F  | G  | H   | L  | M  | N  | P    | Q  | R    | Weight<br>kg |
|------|-------|----------|----|----|----|-----|----|----|----|------|----|------|--------------|
| 02   | 81,25 | 3/8      | 60 | 30 | 40 | 8,5 | 28 | 15 | 14 | 11,5 | 65 | 16,5 | 0,78         |
| 03   | 81,25 | 1/2      | 60 | 30 | 40 | 8,5 | 28 | 15 | 14 | 11,5 | 65 | 16,5 | 0,81         |

### Hydraulic Symbol



### Curves

**B** ↔ **A**



### Features

| Size                | 02  | 03  |
|---------------------|-----|-----|
| Max Pressure (bar)  | 350 | 350 |
| Max Flow Rate (lpm) | 30  | 60  |
| Stroke (mm)         | 12  | 12  |
| Spring Bias (Nm)    | 100 | 100 |

**Materials:** Zinc plated steel body, hardened steel inner parts.

### Ordering Code

**ESOP** - -

|           | Size BSP |
|-----------|----------|
| <b>02</b> | 3/8      |
| <b>03</b> | 1/2      |

**Ordering Code Example:** ESOP02 = 3/8 BSP.