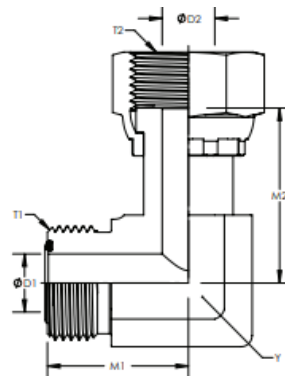
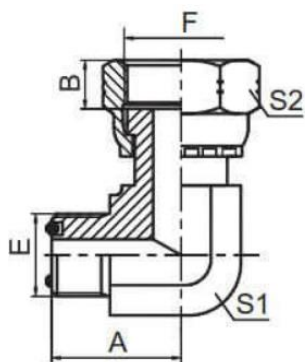


Description: **90° SWIVEL ELBOW**
 Part No.: **FS6500**

Parker: C6LO
 Weatherhead: 4506
 Aeroquip: FF2098T
 Gates: MFFOR-FFORX90



Item #	Y Hex	T1	M1	D1	T2	M2	D2
9-FF6500-4-4	0.563	9/16-18	0.846	0.177	9/16-18	1.043	0.157
9-FF6500-6-6	0.669	11/16-16	0.984	0.256	11/16-16	1.142	0.256
9-FF6500-8-8	0.750	13/16-16	1.102	0.374	13/16-16	1.496	0.354
9-FF6500-10-10	1.063	1-14	1.319	0.492	1-14	1.614	0.453
9-FF6500-12-12	1.188	1-3/16-12	1.476	0.610	1-3/16-12	1.831	0.551
9-FF6500-16-16	1.438	1-7/16-12	1.634	0.807	1-7/16-12	2.106	0.787



2F9

90° 弯美制ORFS外螺纹
 O形圈平面密封 / ORFS内螺纹
 90° ELBOW ORFS MALE
 O-RING / ORFS FEMALE

代号 PART NO.	螺 纹 THREAD		O形圈 O-RING		尺 寸 DIMENSIONS				
	E	F	E端		A	B	S1	S2	
2F9-04	9/16X18	9/16X18	O011		23	8.5	14	19	
2F9-04-06	9/16X18	11/16"X16	O011		23	10	14	22	
2F9-06-04	11/16"X16	9/16X18	O012		27.5	8.5	19	19	
2F9-06	11/16"X16	11/16"X16	O012		27.5	10	19	22	
2F9-06-08	11/16"X16	13/16"X16	O012		27	11	19	27	
2F9-08-06	13/16"X16	11/16"X16	O014		31	10	22	22	
2F9-08	13/16"X16	13/16"X16	O014		31	11	22	27	
2F9-10-08	1"X14	13/16"X16	O016		36.5	11	27	27	
2F9-10	1"X14	1"X14	O016		36.5	15	27	30	
2F9-10-12	1"X14	1.3/16"X12	O016		36.5	15	27	36	
2F9-12	1.3/16"X12	1.3/16"X12	O018		41	15	30	36	
2F9-12-16	1.3/16"X12	1.7/16"X12	O018		42.5	15	33	41	
2F9-16-12	1.7/16"X12	1.3/16"X12	O021		44.5	15	36	36	
2F9-16	1.7/16"X12	1.7/16"X12	O021		44.5	15	36	41	
2F9-20	1.11/16"X12	1.11/16"X12	O025		44.5	15	41	50	
2F9-24	2"X12	2"X12	O029		53.5	15	50	60	