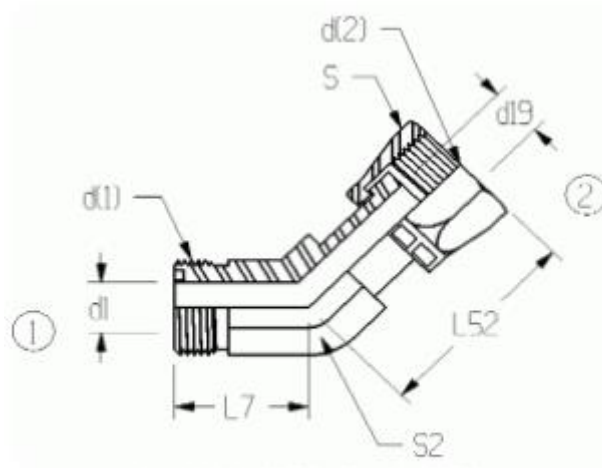


PART NO.	THREAD		O-RING	DIMENSIONS			
	E	F	E END	A	B	S1	S2
2F4-04	9/16X18	9/16X18	O011	18.3	8.5	14	19
2F4-06	11/16"X16	11/16"X16	O012	20.5	10	19	22
2F4-08	13/16"X16	13/16"X16	O014	24	11	22	27
2F4-10	1"X14	1"X14	O016	28	15	27	30
2F4-12	1.3/16"X12	1.3/16"X12	O018	30.7	15	30	36
2F4-16	1.7/16"X12	1.7/16"X12	O021	33	15	36	41
2F4-20	1.11/16"X12	1.11/16"X12	O025	35.5	15	41	50



45° ORFS elbow screw connections, ORFS

Reference	Material	Surface protection	Nominal inner/outer diameter of connection 1/2	Max pressure (bar)
FL2E-FM-EZ-009U-O45	Steel	Zinc plated	UNF 9/16 inch-18	630
FL2E-FM-EZ-011U-O45	Steel	Zinc plated	UN 11/16 inch-16	630
FL2E-FM-EZ-013U-O45	Steel	Zinc plated	UN 13/16 inch-16	630
FL2E-FM-EZ-100U-O45	Steel	Zinc plated	UNS 1 inch-14	400
FL2E-FM-EZ-103U-O45	Steel	Zinc plated	UN 1-3/16 inch-12	400
FL2E-FM-EZ-107U-O45	Steel	Zinc plated	UN 1-7/16 inch-12	400
FL2E-FM-EZ-111U-O45	Steel	Zinc plated	UN 1-11/16 inch-12	250
FL2E-FM-EZ-200U-O45	Steel	Zinc plated	UN 2inch-12	250



**Steel Male ORFS x Female ORFS
Swivel 45° Elbow**

Part Number	TUBE OD	d(1) UN/UNF-2A	d(2) UN/UNF-2B	L7	L52	S	S2	d1	d19	Parker #	Aeroquip #
FF6502-04-04-O	1/4-1/4	9/16-18	9/16-18	0.63	0.99	0.69	0.55	0.17	0.17	4 V6LO-S	FF2133T0404S
FF6502-06-06-O	3/8-3/8	11/16-16	11/16-16	0.74	1.12	0.81	0.75	0.26	0.26	6 V6LO-S	FF2133T0606S
FF6502-08-08-O	1/2-1/2	13/16-16	13/16-16	0.80	1.49	0.94	0.75	0.38	0.36	8 V6LO-S	FF2133T0808S
FF6502-10-10-O	5/8-5/8	1-14	1-14	0.92	1.53	1.13	1.06	0.48	0.45	10 V6LO-S	FF2133T1010S
FF6502-12-12-O	3/4-3/4	1 3/16-12	1 3/16-12	1.02	1.73	1.38	1.18	0.61	0.55	12 V6LO-S	FF2133T1212S
FF6502-16-16-O	1-1	1 7/16-12	1 7/16-12	1.18	1.87	1.63	1.42	0.81	0.78	16 V6LO-S	FF2133T1616S
FF6502-20-20-O	1 1/4-1 1/4	1 11/16-12	1 11/16-12	1.26	1.98	1.88	1.61	1.02	1.02	20 V6LO-S	FF2133T2020S