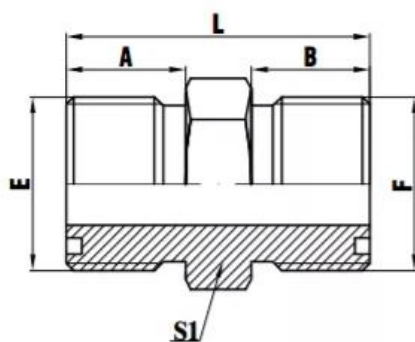


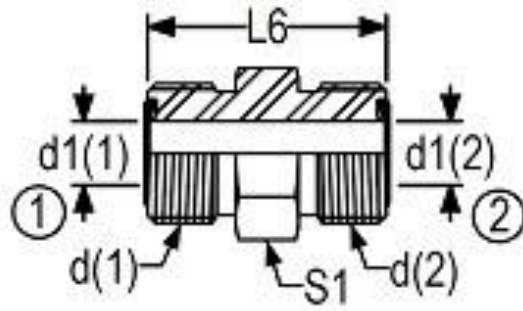
1F ORFS MALE O-RING orfs hydraulic fitting.



# 1F

美制ORFS外螺纹O型圈平面密封  
ORFS MALE O-RING

代号 PART NO.	螺纹 THREADE		尺寸 DIMENSIONS				
	E	F	A	B	S1	L	
1F-04	U9/16"X18	U9/16"X18	12	12	17	30	
1F-04-06	U9/16"X18	U11/16"X16	12	14	19	32	
1F-04-08	U9/16"X18	U13/16"X16	12	15	22	36	
1F-06	U11/16"X16	U11/16"X16	14	14	19	34	
1F-06-08	U11/16"X16	U13/16"X16	14	15	22	38	
1F-06-10	U11/16"X16	U1"X14	14	16.5	27	39.5	
1F-08	U13/16"X16	U13/16"X16	15	15	22	39	
1F-08-10	U13/16"X16	U1"X14	15	16.5	27	40.5	
1F-08-12	U13/16"X16	U1.3/16"X12	15	17	32	41	
1F-10	U1"X14	U1"X14	16.5	16.5	27	42	
1F-10-12	U1"X14	U1.3/16"X12	16.5	17	32	42.5	
1F-12	U1.3/16"X12	U1.3/16"X12	17	17	32	43	
1F-12-16	U1.3/16"X12	U1.7/16"X12	17	18.5	41	47.5	
1F-12-20	U1.3/16"X12	U1.11/16"X12	17	19.5	46	50	
1F-16	U1.7/16"X12	U1.7/16"X12	18.5	18.5	41	49	
1F-16-20	U1.7/16"X12	U1.11/16"X12	18.5	19.5	46	51.5	
1F-20	U1.11/16"X12	U1.11/16"X12	19.5	19.5	46	52.5	
1F-24	U2"X12	U2"X12	23.5	23.5	55	64	



Part #	d(1) UN/UNF-2A	d(2) UN/UNF-2A	L6	S1	d1(1)	d1(2)
FF2403-4-4-O	9/16-18	9/16-18	1.08	0.63	0.18	0.18
FF2403-6-4-O	11/16-16	9/16-18	1.17	0.75	0.26	0.18
FF2403-6-6-O	11/16-16	11/16-16	1.22	0.75	0.26	0.26
FF2403-8-6-O	13/16-16	11/16-16	1.33	0.88	0.37	0.26
FF2403-8-8-O	13/16-16	13/16-16	1.39	0.88	0.37	0.37
FF2403-10-8-O	1-14	13/16-16	1.57	1.06	0.49	0.37
FF2403-10-10-O	1-14	1-14	1.68	1.06	0.49	0.49
FF2403-12-8-O	1 3/16-12	13/16-16	1.69	1.25	0.61	0.37
FF2403-12-10-O	1 3/16-12	1-14	1.80	1.25	0.61	0.49
FF2403-12-12-O	1 3/16-12	1 3/16-12	1.86	1.25	0.61	0.61
FF2403-16-12-O	1 7/16-12	1 3/16-12	1.92	1.50	0.81	0.61
FF2403-16-16-O	1 7/16-12	1 7/16-12	1.94	1.50	0.81	0.81
FF2403-20-16-O	1 11/16-12	1 7/16-12	2.02	1.75	1.02	0.81
FF2403-20-20-O	1 11/16-12	1 11/16-12	2.02	1.75	1.02	1.02
FF2403-24-24-O	2-12	2-12	2.09	2.13	1.26	1.26