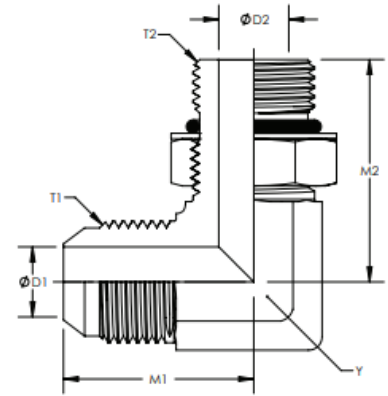


Description:
Part No.:

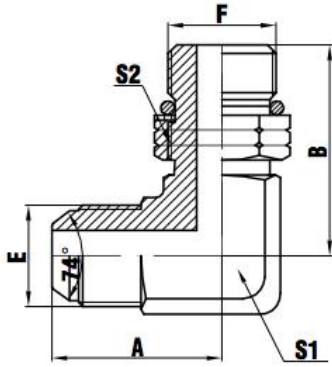
**90° STRAIGHT THREAD ELBOW
6801**

Parker:
Weatherhead:
Aeroquip:
Gates:

C5OX
F5515
2062-[R]
MB-MJ90



Item #	Y Hex	T1	M1	D1	T2	M2	D2
9-6801-4-4	0.438	7/16-20	0.890	0.172	7/16-20	1.030	0.172
9-6801-4-6	0.563	7/16-20	1.050	0.172	9/16-18	1.250	0.297
9-6801-6-6	0.563	9/16-18	1.060	0.297	9/16-18	1.250	0.297
9-6801-6-8	0.750	9/16-18	1.140	0.297	3/4-16	1.450	0.391
9-6801-8-6	0.750	3/4-16	1.250	0.391	9/16-18	1.320	0.297
9-6801-8-8	0.750	3/4-16	1.250	0.391	3/4-16	1.450	0.391
9-6801-8-10	0.875	3/4-16	1.330	0.391	7/8-14	1.700	0.484
9-6801-8-12	1.063	3/4-16	1.420	0.391	1-1/16-12	1.940	0.609
9-6801-10-8	0.875	7/8-14	1.450	0.484	3/4-16	1.540	0.391
9-6801-10-10	0.875	7/8-14	1.450	0.484	7/8-14	1.700	0.484
9-6801-10-12	1.063	7/8-14	1.540	0.484	1-1/16-12	1.940	0.609
9-6801-12-8	1.063	1-1/16-12	1.660	0.609	3/4-16	1.620	0.391
9-6801-12-10	1.063	1-1/16-12	1.660	0.609	7/8-14	1.780	0.484
9-6801-12-12	1.063	1-1/16-12	1.660	0.609	1-1/16-12	1.940	0.609
9-6801-12-16	1.313	1-1/16-12	1.760	0.609	1-5/16-12	2.050	0.844
9-6801-16-12	1.313	1-5/16-12	1.810	0.844	1-1/16-12	2.050	0.609
9-6801-16-16	1.313	1-5/16-12	1.810	0.844	1-5/16-12	2.050	0.844
9-6801-16-20	1.625	1-5/16-12	2.010	0.844	1-5/8-12	2.250	1.078
9-6801-20-16	1.625	1-5/8-12	2.060	1.078	1-5/16-12	2.250	0.844
9-6801-20-20	1.625	1-5/8-12	2.060	1.078	1-5/8-12	2.250	1.078



1J09-0G

90° JIC外螺纹74° 外锥/
SAE外螺纹带O型圈

90° JIC MALE 74° CONE/
SAE O-RING BOSS

代号 PART NO.	螺纹 THREADS		尺寸 DIMENSIONS				
	E	F	A	B	S1	S2	
1J09-040G	U7/16"X20	U7/16"X20	22	27.2	11	17	
1J09-04-060G	U7/16"X20	U9/16"X18	29	31.8	14	19	
1J09-05-040G	U1/2"X20	U7/16"X20	29	30	14	17	
1J09-050G	U1/2"X20	U1/2"X20	29	29	14	17	
1J09-05-060G	U1/2"X20	U9/16"X18	29	31.8	14	19	
1J09-060G	U9/16"X18	U9/16"X18	29	31.8	14	19	
1J09-06-040G	U9/16"X18	U7/16"X20	29	30	14	17	
1J09-06-050G	U9/16"X18	U1/2"X20	29	29.9	14	17	
1J09-06-080G	U9/16"X18	U3/4"X16	33	36.8	19	24	
1J09-08-040G	U3/4"X16	U7/16"X20	33	33	19	17	
1J09-080G	U3/4"X16	U3/4"X16	33	36.8	19	24	
1J09-08-060G	U3/4"X16	U9/16"X18	33	33.5	19	19	
1J09-08-100G	U3/4"X16	U7/8"X14	37	44	22	27	
1J09-08-120G	U3/4"X16	U1.1/16"X12	40	51	27	32	
1J09-100G	U7/8"X14	U7/8"X14	37	44	22	27	
1J09-10-080G	U7/8"X14	U3/4"X16	37	40	22	27	
1J09-10-120G	U7/8"X14	U1.1/16"X12	40	51	27	32	
1J09-120G	U1.1/16"X12	U1.1/16"X12	40	51	27	32	
1J09-12-100G	U1.1/16"X12	U7/8"X14	40	47	27	27	
1J09-12-160G	U1.1/16"X12	U1.5/16"X12	49	54.5	33	41	
1J09-160G	U1.5/16"X12	U1.5/16"X12	49	54.5	33	41	
1J09-16-120G	U1.5/16"X12	U1.1/16"X12	49	54.5	33	32	
1J09-16-200G	U1.5/16"X12	U1.5/8"X12	57	59	44	50	
1J09-200G	U1.5/8"X12	U1.5/8"X12	57	59	44	50	
1J09-20-240G	U1.5/8"X12	U1.7/8"X12	57	63	48	55	
1J09-240G	U1.7/8"X12	U1.7/8"X12	57	63	48	55	
1J09-320G	U1.7/8"X12	U2.1/2"X12	66	76	65	70	