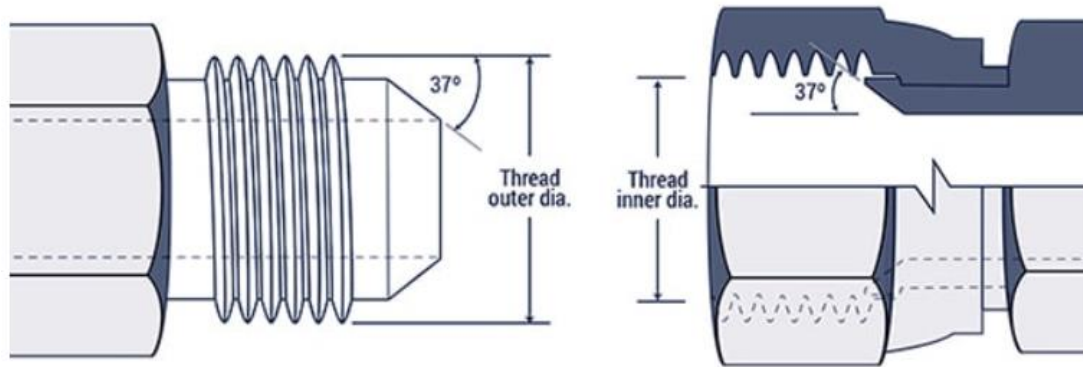
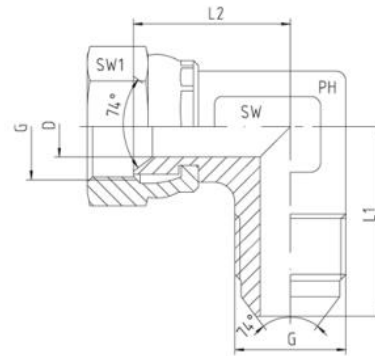


JIC 37° Flare



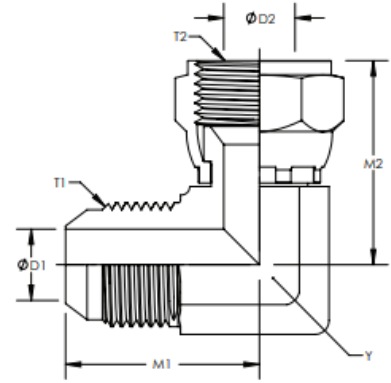
JIC - Female x JIC - Male - 90°



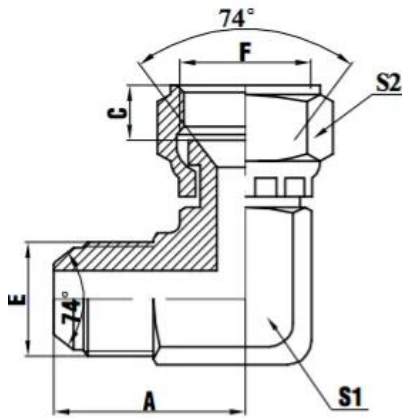
Pressure	Tube O.D.		Thread	Approx. Dimensions					Order-Code
	mm	in.		G = UNF/UN	L1	L2	D	SW1	
350	6	1/4"	7/16"-20	22,5	16,7	4,0	17	12	1252514-04-04
350	8	5/16"	1/2"-20	24,0	17,5	5,5	17	14	1252514-05-05
350	10	3/8"	9/16"-18	27,0	22,5	7,5	19	14	1252514-06-06
350	12	1/2"	3/4"-16	32,0	24,5	10,0	24	22	1252514-08-08
350	14, 15, 16	5/8"	7/8"-14	37,5	29,5	12,0	27	24	1252514-10-10
350	18, 20	3/4"	1 1/16"-12	42,0	31,0	15,5	32	24	1252514-12-12
250	25	1"	1 5/16"-12	46,0	35,7	21,5	41	36	1252514-16-16
210	28, 30, 32	1 1/4"	1 5/8"-12	52,5	42,8	27,5	50	41	1252514-20-20
140	35, 38	1 1/2"	1 7/8"-12	59,0	47,2	33,0	55	50	1252514-24-24
150	50	2"	2 1/2"-12	77,5	62,1	45,0	70	65	1252514-32-32

Description: **90° SWIVEL ELBOW**
 Part No.: **6500**

Parker: C6X
 Weatherhead: F5506
 Aeroquip: 2071-[R]
 Gates: MJ-FJX90



Item #	Y Hex	T1	M1	D1	T2	M2	D2
9-6500-4-4	0.438	7/16-20	0.890	0.172	7/16-20	1.000	0.172
9-6500-6-6	0.563	9/16-18	1.060	0.297	9/16-18	1.250	0.297
9-6500-8-8	0.750	3/4-16	1.250	0.391	3/4-16	1.380	0.391
9-6500-10-10	0.875	7/8-14	1.450	0.484	7/8-14	1.620	0.484
9-6500-12-12	1.063	1-1/16-12	1.660	0.609	1-1/16-12	1.750	0.609
9-6500-16-16	1.313	1-5/16-12	1.810	0.844	1-5/16-12	2.000	0.844



2J9

90° 美制JIC外螺纹74° 外锥/
 JIC内螺纹74° 内锥
 90° JIC MALE 74° CONE/
 JIC FEMALE 74° SEAT

代号 PART NO.	螺纹 THREADE		尺寸 DIMENSIONS				
	E	F	A	C	S1	S2	
2J9-04	U7/16"X20	U7/16"X20	22	8.5	11	17	
2J9-05	U1/2"X20	U1/2"X20	29	9.5	14	19	
2J9-06	U9/16"X18	U9/16"X18	29	10	14	19	
2J9-06-08	U9/16"X18	U3/4"X16	33	11	19	24	
2J9-08-06	U3/4"X16	U9/16"X18	33	10	19	19	
2J9-08	U3/4"X16	U3/4"X16	33	11	19	24	
2J9-08-10	U3/4"X16	U7/8"X14	37	11	22	27	
2J9-10	U7/8"X14	U7/8"X14	37	11	22	27	
2J9-10-08	U7/8"X14	U3/4"X16	37	11	22	24	
2J9-10-12	U7/8"X14	U1.1/16"X12	40	13.5	27	32	
2J4-12	U1.1/16"X12	U1.1/16"X12	40	13.5	27	32	
2J4-12-10	U1.1/16"X12	U7/8"X14	40	11	27	27	
2J4-12-16	U1.1/16"X12	U1.5/16"X12	49	14.5	33	41	
2J9-16	U1.5/16"X12	U1.5/16"X12	49	14.5	33	41	
2J9-16-20	U1.5/16"X12	U1.5/8"X12	57	15.5	44	50	
2J9-20-16	U1.5/8"X12	U1.5/16"X12	57	14.5	44	41	
2J9-20	U1.5/8"X12	U1.5/8"X12	57	15.5	44	50	
2J9-20-24	U1.5/8"X12	U1.7/8"X12	57	18.5	48	55	
2J9-24-20	U1.7/8"X12	U1.5/8"X12	57	15.5	48	50	
2J9-24	U1.7/8"X12	U1.7/8"X12	57	18.5	48	55	
2J9-32	U2.1/2"X12	U2.1/2"X12	66	24.5	65	75	