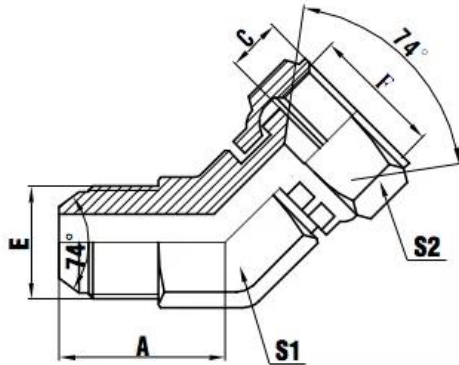
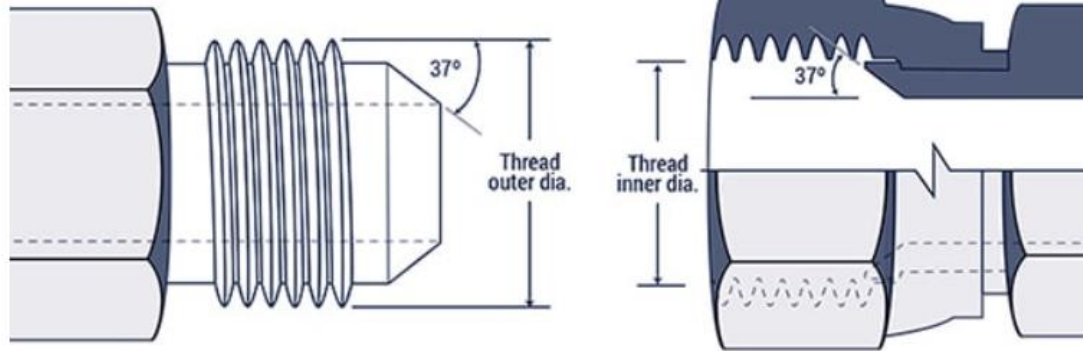


JIC 37° Flare



2J4

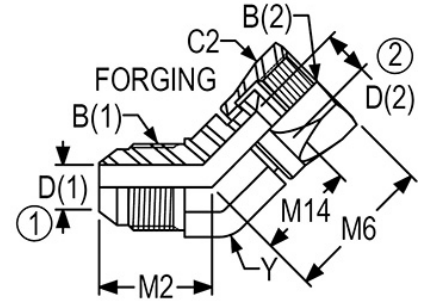
45° 美制JIC外螺纹74° 外锥/
 JIC内螺纹74° 内锥
 45° JIC MALE 74° CONE/
 JIC FEMALE 74° SEAT

代号 PART NO.	螺纹 THREADS		尺寸 DIMENSIONS				
	E	F	A	C	S1	S2	
2J4-04	U7/16"X20	U7/16"X20	20	8.5	11	17	
2J4-05	U1/2"X20	U1/2"X20	22	9.5	14	19	
2J4-06	U9/16"X18	U9/16"X18	22	10	14	19	
2J4-08	U3/4"X16	U3/4"X16	25	11	19	24	
2J4-10	U7/8"X14	U7/8"X14	27	11	22	27	
2J4-12	U1.1/16"X12	U1.1/16"X12	33	13.5	27	32	
2J4-16	U1.5/16"X12	U1.5/16"X12	37	14.5	33	41	
2J4-20	U1.5/8"X12	U1.5/8"X12	40	15.5	44	50	
2J4-24	U1.7/8"X12	U1.7/8"X12	47	18.5	53	55	
2J4-32	U2.1/2"X12	U2.1/2"X12	55	24.5	65	75	

6502 45 DEGREE SWIVEL ELBOW

SAE J514 070321

MS51522



PART NO	TUBE OD	B (1) UN/UNF-2A	B (2) UN/UNF-2B	M2	M6	M14	C3	Y	D (1)	D (2)
6502-4-4	1/4-1/4	7/16-20	7/16-20	0.72	0.94	0.60	0.56	0.50	0.17	0.17
6502-4-4-FG	1/4-1/4	7/16-20	7/16-20	0.72	0.94	0.60	0.56	0.44	0.17	0.17
6502-5-5	5/16-5/16	1/2-20	1/2-20	0.77	1.00	0.63	0.63	0.56	0.23	0.23
6502-5-5-FG	5/16-5/16	1/2-20	1/2-20	0.77	1.00	0.63	0.63	0.56	0.23	0.23
6502-6-4	3/8-1/4	9/16-18	7/16-20	0.83	0.98	0.64	0.56	0.63	0.30	0.17
6502-6-6	3/8-3/8	9/16-18	9/16-18	0.83	1.12	0.75	0.69	0.63	0.30	0.30
6502-6-6-FG	3/8-3/8	9/16-18	9/16-18	0.83	1.12	0.75	0.69	0.56	0.30	0.30
6502-8-8	1/2-1/2	3/4-16	3/4-16	0.98	1.28	0.86	0.88	0.81	0.39	0.39
6502-8-8-FG	1/2-1/2	3/4-16	3/4-16	0.98	1.25	0.86	0.88	0.75	0.39	0.39
6502-10-8	5/8-1/2	7/8-14	3/4-16	1.11	1.23	0.81	0.88	0.94	0.48	0.39
6502-10-10	5/8-5/8	7/8-14	7/8-14	1.11	1.44	0.94	1.00	0.94	0.48	0.48
6502-10-10-FG	5/8-5/8	7/8-14	7/8-14	1.11	1.44	0.94	1.00	0.88	0.48	0.48
6502-12-12	3/4-3/4	1 1/16-12	1 1/16-12	1.28	1.50	0.94	1.25	1.13	0.61	0.61
6502-12-12-FG	3/4-3/4	1 1/16-12	1 1/16-12	1.28	1.50	0.94	1.25	1.06	0.61	0.61
6502-14-12	7/8-3/4	1 3/16-12	1 1/16-12	1.39	1.59	1.03	1.25	1.25	0.72	0.61
6502-14-14	7/8-7/8	1 3/16-12	1 3/16-12	1.39	1.59	1.01	1.38	1.25	0.72	0.72
6502-16-16	1-1	1 5/16-12	1 5/16-12	1.47	1.75	1.16	1.50	1.38	0.84	0.84
6502-16-16-FG	1-1	1 5/16-12	1 5/16-12	1.47	1.75	1.16	1.50	1.31	0.84	0.84
6502-16-20	1-1 1/4	1 5/16-12	1 5/8-12	1.54	2.03	1.40	2.00	1.75	0.84	1.08
6502-20-20	1 1/4-1 1/4	1 5/8-12	1 5/8-12	1.59	1.96	1.34	2.00	1.75	1.08	1.08
6502-20-20-FG	1 1/4-1 1/4	1 5/8-12	1 5/8-12	1.59	2.03	1.40	2.00	1.63	1.08	1.08
6502-20-32	1 1/4-2	1 5/8-12	2 1/2-12	1.84	2.71	1.77	2.88	2.63	1.08	1.78
6502-24-24	1 1/2-1 1/2	1 7/8-14	1 7/8-14	1.78	2.25	1.52	2.25	2.00	1.31	1.31
6502-24-24-FG	1 1/2-1 1/2	1 7/8-12	1 7/8-12	1.78	2.25	1.52	2.25	1.88	1.31	1.31
6502-32-32	2-2	2 1/2-12	2 1/2-12	2.22	2.91	1.97	2.88	2.63	1.78	1.78
6502-32-32-FG	2-2	2 1/2-12	2 1/2-12	2.22	2.91	1.97	2.88	2.50	1.78	1.78