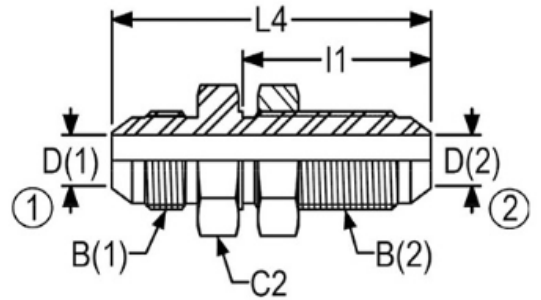


## 2700-LN BULKHEAD UNION

SAE J514 070601

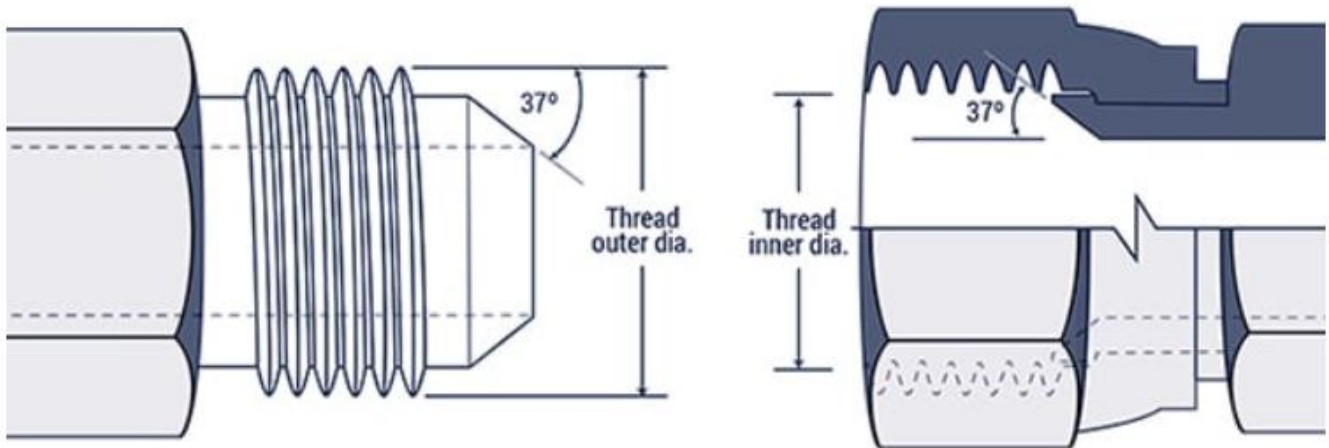
MS51520

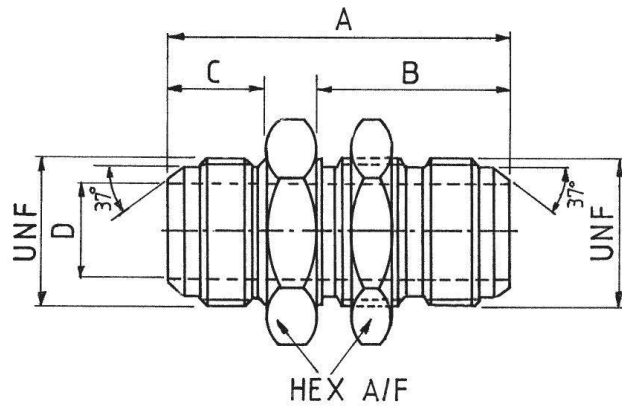


Base Part, 2700, Does Not Include Locknut

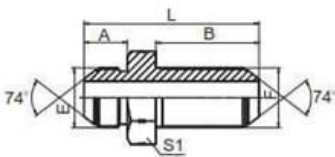
PART NO	TUBE OD	B (1) UN/UNF-2A	B (2) UN/UNF-2A	L4	l1	C2	D (1)	D (2)
2700-2-2	1/8-1/8	5/16-24	5/16-24	1.87	1.11	0.56	0.08	0.08
2700-4-4	1/4-1/4	7/16-20	7/16-20	2.07	1.20	0.69	0.17	0.17
2700-5-5	5/16-5/16	1/2-20	1/2-20	2.07	1.20	0.75	0.23	0.23
2700-5-6	5/16-3/8	1/2-20	9/16-18	2.17	1.28	0.81	0.23	0.30
2700-6-4	3/8-1/4	9/16-18	7/16-20	2.10	1.20	0.69	0.30	0.17
2700-6-6	3/8-3/8	9/16-18	9/16-18	2.18	1.28	0.81	0.30	0.30
2700-8-8	1/2-1/2	3/4-16	3/4-16	2.44	1.44	1.00	0.39	0.39
2700-10-10	5/8-5/8	7/8-14	7/8-14	2.74	1.58	1.13	0.48	0.48
2700-12-12	3/4-3/4	1 1/16-12	1 1/16-12	3.09	1.75	1.38	0.61	0.61
2700-14-14	7/8-7/8	1 3/16-12	1 3/16-12	3.12	1.75	1.50	0.72	0.72
2700-16-12	1-3/4	1 5/16-12	1 1/16-12	3.14	1.75	1.63	0.84	0.61
2700-16-16	1-1	1 5/16-12	1 5/16-12	3.14	1.75	1.63	0.84	0.84
2700-20-20	1 1/4-1 1/4	1 5/8-12	1 5/8-12	3.31	1.80	1.88	1.08	1.08
2700-24-24	1 1/2-1 1/2	1 7/8-12	1 7/8-12	3.52	1.81	2.13	1.31	1.31

### JIC 37° Flare

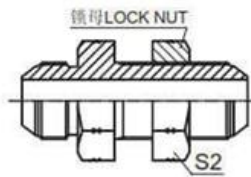




Part No.	TUBE OD INCH	TUBE OD MM	THREAD SIZE UNF	A	B	C	D	HEX
UB-500-4	1/4"	6	7/16"-20	51.94	30.9	14.4	4.3	18.1
UB-500-5	5/16"	8	1/2"-20	52.7	30.9	14.4	5.2	19.1
UB-500-6	3/8"	10	9/16"-18	54.8	33.1	14.5	7.5	22.2
UB-500-8	1/2"	12	3/4"-16	61.5	37.1	17.1	9.9	25.6
UB-500-10	5/8"	14/15/16	7/8"-14	69.3	40.6	19.6	12.3	28.6
UB-500-12	3/4"	18/20	1 1/16"-12	77.4	44.4	22.3	15.5	34.9
UB-500-16	1"	25	1 5/16"-12	79.4	44.9	23.2	21.4	41.3
UB-500-20	1 1/4"	30/32	1 5/8"-12	84.2	46.2	24.7	27.4	47.3
UB-500-24	1 1/2"	38	1 7/8"-12	89.4	46.5	27.9	33.3	56.4



6J



6J-LN

美制JIC外螺纹74°外锥过板接头  
JIC MALE 74° CONE BULKHEAD

代号 PART NO.	螺 纹 THREAD		尺 寸 DIMENSIONS					
	E	F	A	B	L	S1	S2	
6J-02	5/16"X24	5/16"X24	11.4	28.2	47.5	14	14	
6J-03	3/8"X24	3/8"X24	12.2	28.2	48.3	16	16	
6J-04	7/16"X20	7/16"X20	14	32.5	52.5	17	17	
6J-05	1/2"X20	1/2"X20	14	32.5	52.5	19	19	
6J-06	9/16"X18	9/16"X18	14.1	32.5	54.5	22	22	
6J-06(S19)	9/16"X18	9/16"X18	14.1	32.5	54.5	19	22	
6J-08	3/4"X16	3/4"X16	16.7	36.5	61.5	24	24	
6J-10	7/8"X14	7/8"X14	19.3	40	69.5	30	30	
6J-12	1.1/16"X12	1.1/16"X12	21.9	44.5	78.5	36	36	
6J-14	1.3/16"X12	1.3/16"X12	22.6	44.5	79.2	38	38	
6J-16	1.5/16"X12	1.5/16"X12	23.1	44.5	79.8	41	41	
6J-20	1.5/8"X12	1.5/8"X12	24.3	45.7	84	50	50	
6J-24	1.7/8"X12	1.7/8"X12	27.5	46	89.5	55	55	
6J-32	2.1/2"X12	2.1/2"X12	33.9	53.1	106.7	70	70	